



WASP
Water Ancillary Specialist Products



PREFABRICATED BESPOKE CATCHPIT CHAMBERS

Issue v4: October 2020

For more information please contact 01254 589987 or email sales@selenvironmental.com

Disclaimer

This product specification is neither giving nor implying warranty for the use of this information for design and installation, as these are beyond our control. The data provided is typical and based upon the mean values and we reserve the right to change the specifications without prior notice.



WASP catchpits are designed to separate and retain silt and other particles from stormwater, helping to protect the downstream drainage system and local environment.

WASP catchpits are bespoke, watertight, structured wall chambers, manufactured to suit project-specific requirements. Health and Safety benefits become apparent during handling and installation, due to their strong, lightweight construction and integral lifting points. In addition, off-site fabrication ensures uncompromised, high quality products being delivered to site ready-to-install, reducing installation time and costs.

Key benefits

- Easy access for collection and disposal of silt
- Watertight, structured wall construction
- One-piece installation
- Strong and lightweight
- Multiple inlet and outlet options
- Ø1200+ Fitted step rungs to BS EN 13101
- Integral lifting points as standard
- Depths to suit project-specific requirements
- Supplied with integral spigot connections
- Made from High-density Polyethylene (HDPE)
- Wide range of diameters available



Chemical resistance

HDPE is naturally resistant to most chemicals associated with stormwater drainage systems.

Diameter

500mm to 1800mm (ID)

Depth

Up to 2500mm deep

Sump depth

300mm deep as standard.

Inlets/outlets diameter

110mm to 966mm (OD) to suit project-specific chamber schedules and drainage layout drawings

Colour

Black

Accessories & Options

- Range of flexible couplings for simple connection to ongoing pipe networks available
- Flap valves
- Foul air-traps
- High level backdrop and overflow connections

Compliance with:

- New Design & Construction Guidance - Section C7.1.1 Sediment Management
- Sewers for Adoption (SfA8) 8th edition
- Suitable for Adoptable and Non-Adoptable applications
- Building Regulations - Part H1

For more information please contact 01254 589987 or email sales@selenvironmental.com

Disclaimer

This product specification is neither giving nor implying warranty for the use of this information for design and installation, as these are beyond our control. The data provided is typical and based upon the mean values and we reserve the right to change the specifications without prior notice.



CODE	DESCRIPTION
WASP05051	500mm Ø Chamber; 1.0m deep; 4 x spigots; max. 250mm Ø
WASP05052	500mm Ø Chamber; 1.5m deep; 4 x spigots; max. 250mm Ø
WASP05053	500mm Ø Chamber; 2.0m deep; 4 x spigots; max. 250mm Ø
WASP05053	500mm Ø Chamber; 2.5m deep; 4 x spigots; max. 250mm Ø
WASP05101	600mm Ø Chamber; 1.0m deep; 4 x spigots; max. 315mm Ø
WASP05102	600mm Ø Chamber; 1.5m deep; 4 x spigots; max. 315mm Ø
WASP05103	600mm Ø Chamber; 2.0m deep; 4 x spigots; max. 315mm Ø
WASP05103	600mm Ø Chamber; 2.5m deep; 4 x spigots; max. 315mm Ø
WASP05251	1200mm Ø Chamber; 1.0m deep; 4 x spigots; max. 500mm Ø
WASP05252	1200mm Ø Chamber; 1.5m deep; 4 x spigots; max. 500mm Ø
WASP05253	1200mm Ø Chamber; 2.0m deep; 4 x spigots; max. 500mm Ø
WASP05254	1200mm Ø Chamber; 2.5m deep; 4 x spigots; max. 500mm Ø
WASP05301	1350mm Ø Chamber; 1.0m deep; 4 x spigots; max. 600mm Ø
WASP05302	1350mm Ø Chamber; 1.5m deep; 4 x spigots; max. 600mm Ø
WASP05303	1350mm Ø Chamber; 2.0m deep; 4 x spigots; max. 600mm Ø
WASP05304	1350mm Ø Chamber; 2.5m deep; 4 x spigots; max. 600mm Ø
WASP05351	1500mm Ø Chamber; 1.0m deep; 4 x spigots; max. 600mm Ø
WASP05352	1500mm Ø Chamber; 1.5m deep; 4 x spigots; max. 600mm Ø
WASP05353	1500mm Ø Chamber; 2.0m deep; 4 x spigots; max. 600mm Ø
WASP05354	1500mm Ø Chamber; 2.5m deep; 4 x spigots; max. 600mm Ø
WASP05402	1800mm Ø Chamber; 1.5m deep; 4 x spigots; max. 900mm Ø
WASP05403	1800mm Ø Chamber; 2.0m deep; 4 x spigots; max. 900mm Ø
WASP05404	1800mm Ø Chamber; 2.5m deep; 4 x spigots; max. 900mm Ø

For more information please contact 01254 589987 or email sales@selenvironmental.com

Disclaimer

This product specification is neither giving nor implying warranty for the use of this information for design and installation, as these are beyond our control. The data provided is typical and based upon the mean values and we reserve the right to change the specifications without prior notice.



WASP
Water Ancillary Specialist Products

Accessories

Flexible Couplings

We can supply flexible couplings for forming joints between WASP chamber spigots and inlet / outlet drainage pipes. A range of diameters and adapters are available to suit most combinations. Where the difference in diameter exceeds 12mm a bush should be used.

The stainless steel and rubber construction allows for greater flexibility and the ability to withstand an internal water pressure of 2.5 bar.

Couplings comply with the requirements of Water Industry Specification WIS 4-41-01 „Specification for flexible couplings for gravity sewerage and drainage pipes“.



There are no spot-welds on the shear band having been replaced with fasteners using TOX[®] technology that enhances the corrosion resistance of the couplings. Couplings are secured in place using the screw 'jubilee' type fastener.



Flap Valves

Where your surface water drainage discharges into a watercourse or combined sewer you may require a flap valve to prevent backflow into your drainage collection system.

If required, flap valves can be installed within your catchpit chamber during their manufacture in our factory. A range of diameters are available with a hinged design that ensures full face sealing when closed.



For more information please contact 01254 589987 or email sales@selenvironmental.com

Disclaimer

This product specification is neither giving nor implying warranty for the use of this information for design and installation, as these are beyond our control. The data provided is typical and based upon the mean values and we reserve the right to change the specifications without prior notice.

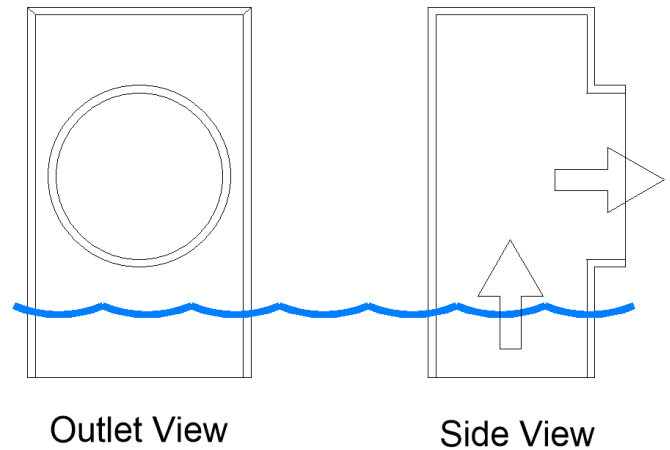


Foul Air Traps

If you require a trapped sump because your outlet pipe is connecting to a combined sewer to comply with the Building Regulations Part H1 you will require the installation of a foul air trap.

The foul air trap is installed on the outlet from the chamber. Once the chamber sump is primed with water, this will prevent foul smells from migrating into your drainage system.

The foul air traps are fabricated to meet with your site specific requirements.

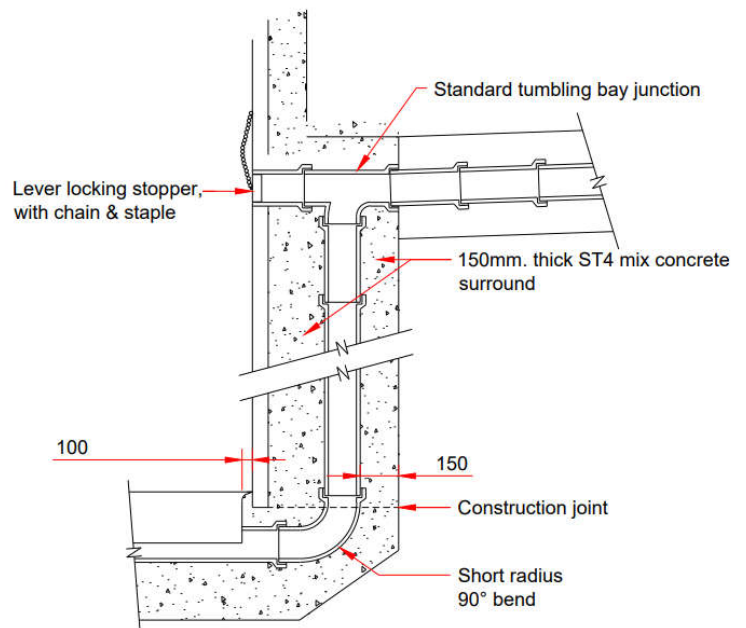


Back Drop Assembly

In some instances, there may be a significant level difference between the incoming pipe and the invert level of the manhole. To accommodate this, and to avoid having to excavate to full depth for the incoming pipe, a drop shaft connection may be used.

WASP chambers can be manufactured to include the back drop assembly.

This can save significant time and frustration on site forming what is a complicated arrangement as shown in the detail to the right.



For more information please contact 01254 589987 or email sales@selenvironmental.com

Disclaimer

This product specification is neither giving nor implying warranty for the use of this information for design and installation, as these are beyond our control. The data provided is typical and based upon the mean values and we reserve the right to change the specifications without prior notice.



WASP
Water Ancillary Specialist Products

WASP05050 Series 500mm Ø Chambers Restricted Access

For more information please contact 01254 589987 or email sales@selenvironmental.com

Disclaimer

This product specification is neither giving nor implying warranty for the use of this information for design and installation, as these are beyond our control. The data provided is typical and based upon the mean values and we reserve the right to change the specifications without prior notice.



WASP05051

500mm Ø Chamber; 1.0m deep; 4 x spigots; max. 250mm Ø

Description

The WASP05051 500mm diameter (ID) Catchpit Chamber is prefabricated to suit individual site requirements to a maximum height of 1000mm (including sump). Pipe connection spigots ranging from 110mmØ to 250mmØ (OD) are positioned to suit the manhole schedule.

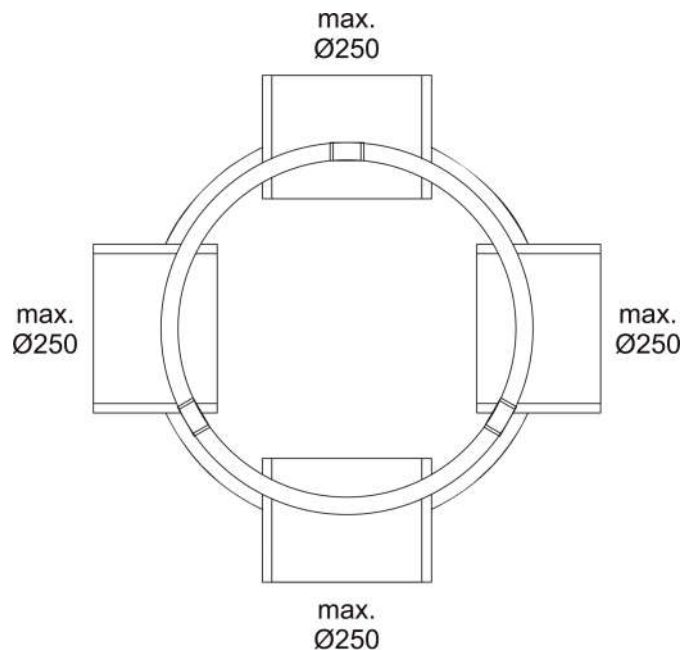
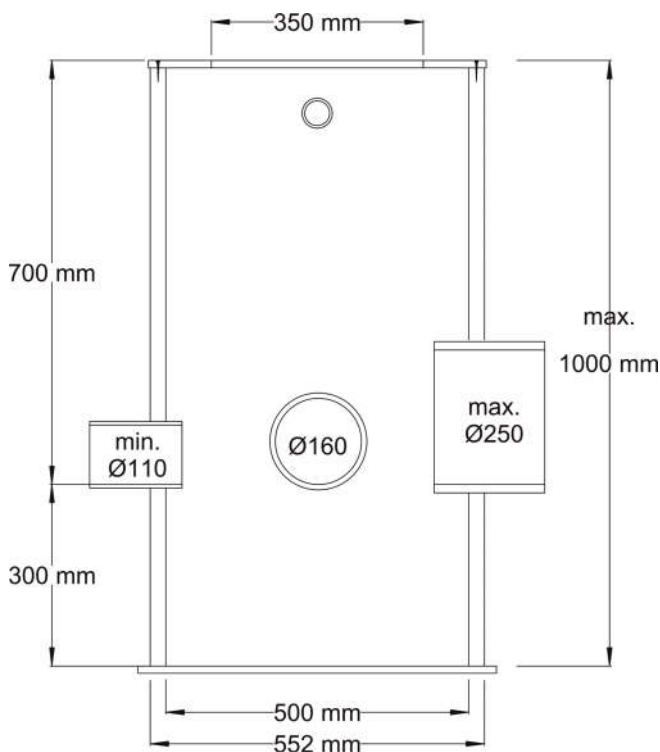
SPECIFICATION

Diameter (mm)	500
Depth (mm)	1000
Sump Depth (mm)	300
Nr Inlet Spigots	3
Nr Outlet Spigots	1
Spigot OD (mm)	110 to 250
Unit Weight (kg)	17
Core Material	HDPE

UNIVERSAL FOR ANY SUDS

MULTIPLE INLET / OUTLET OPTIONS

TRAPS SILT AND DEBRIS



Pipe spigot sizing and orientation shown is for indication only

For more information please contact 01254 589987 or email sales@selenvironmental.com

Disclaimer

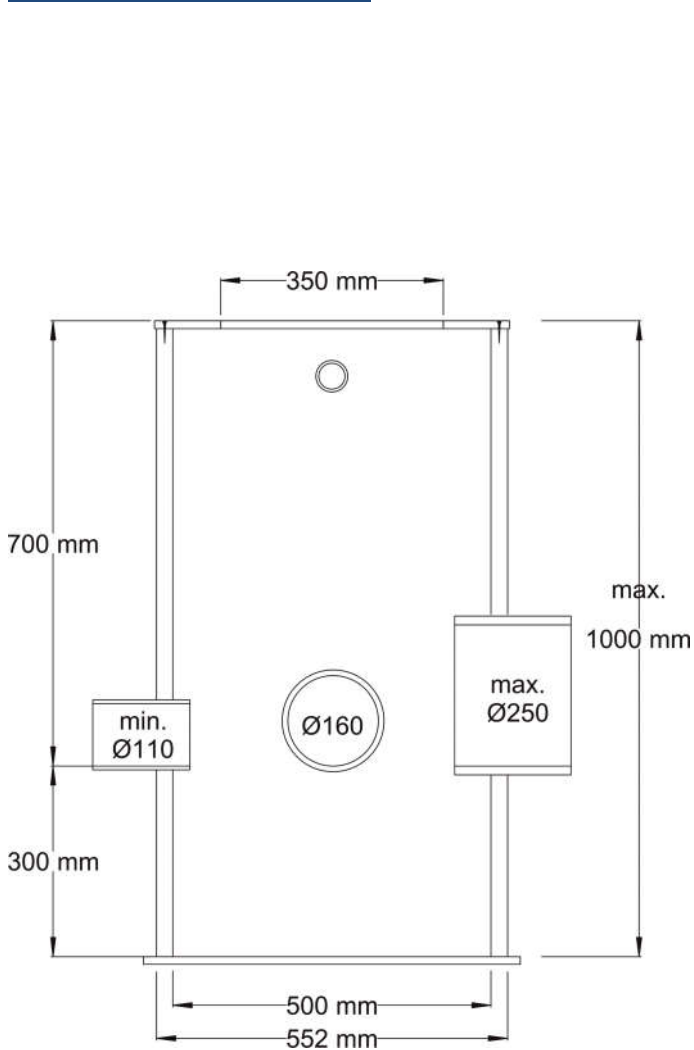
This product specification is neither giving nor implying warranty for the use of this information for design and installation, as these are beyond our control. The data provided is typical and based upon the mean values and we reserve the right to change the specifications without prior notice.



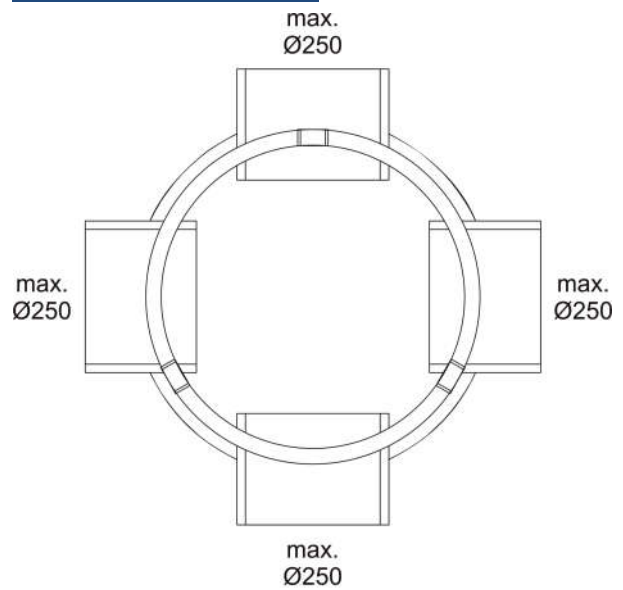
WASP05051

500mm Ø Chamber; 1.0m deep; 4 x spigots; max. 250mm Ø

CAD SECTION DETAIL



CAD PLAN DETAIL



Pipe spigot sizing and orientation shown is for indication only

CHAMBER SPIGOT DIAMETERS

Outside Ø	Inside Ø
110	98
160	142
225	199
250	222
0	0
0	0
0	0
0	0
0	0

For more information please contact 01254 589987 or email sales@selenvironmental.com

Disclaimer

This product specification is neither giving nor implying warranty for the use of this information for design and installation, as these are beyond our control. The data provided is typical and based upon the mean values and we reserve the right to change the specifications without prior notice.



WASP05052

500mm Ø Chamber; 1.5m deep; 4 x spigots; max. 250mm Ø

Description

The WASP05052 500mm diameter (ID) Catchpit Chamber is prefabricated to suit individual site requirements to a maximum height of 1500mm (including sump). Pipe connection spigots ranging from 110mmØ to 250mmØ (OD) are positioned to suit the manhole schedule. This chamber is supplied complete with a reduced access cover.

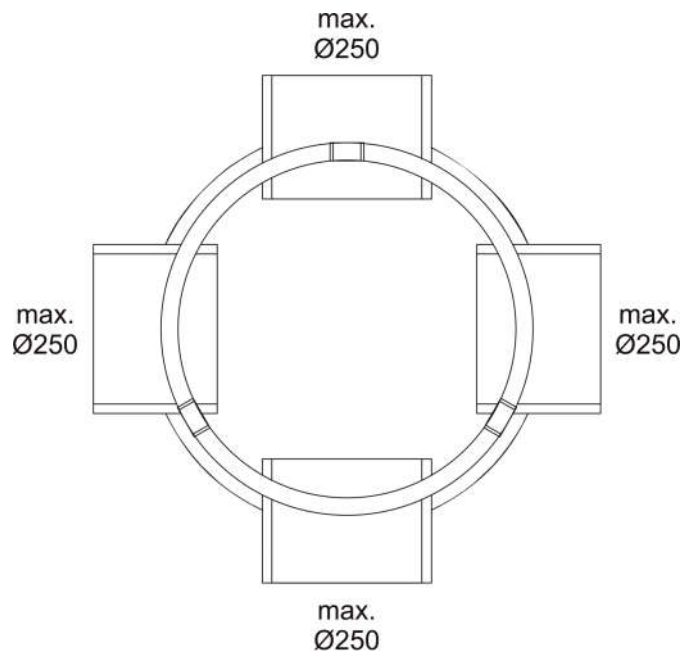
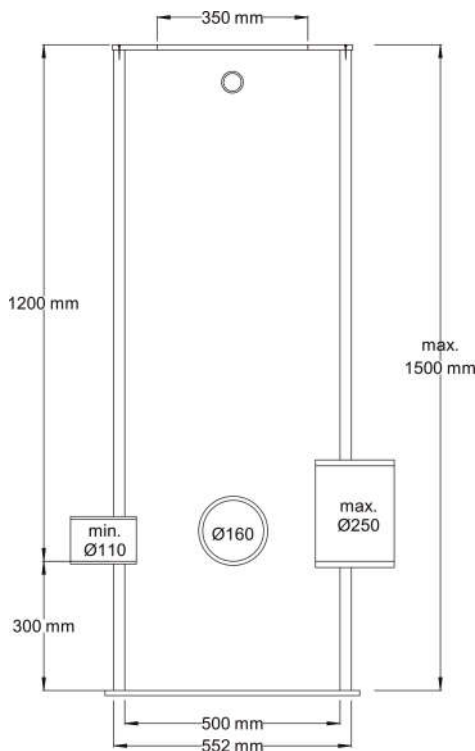
SPECIFICATION

Diameter (mm)	500
Depth (mm)	1500
Sump Depth (mm)	300
Nr Inlet Spigots	3
Nr Outlet Spigots	1
Spigot OD (mm)	110 to 250
Unit Weight (kg)	26
Core Material	HDPE

UNIVERSAL FOR ANY SUDS

TRAPS SILT AND DEBRIS

SUPPLIED WITH REDUCED ACCESS



Pipe spigot sizing and orientation shown is for indication only

For more information please contact 01254 589987 or email sales@selenvironmental.com

Disclaimer

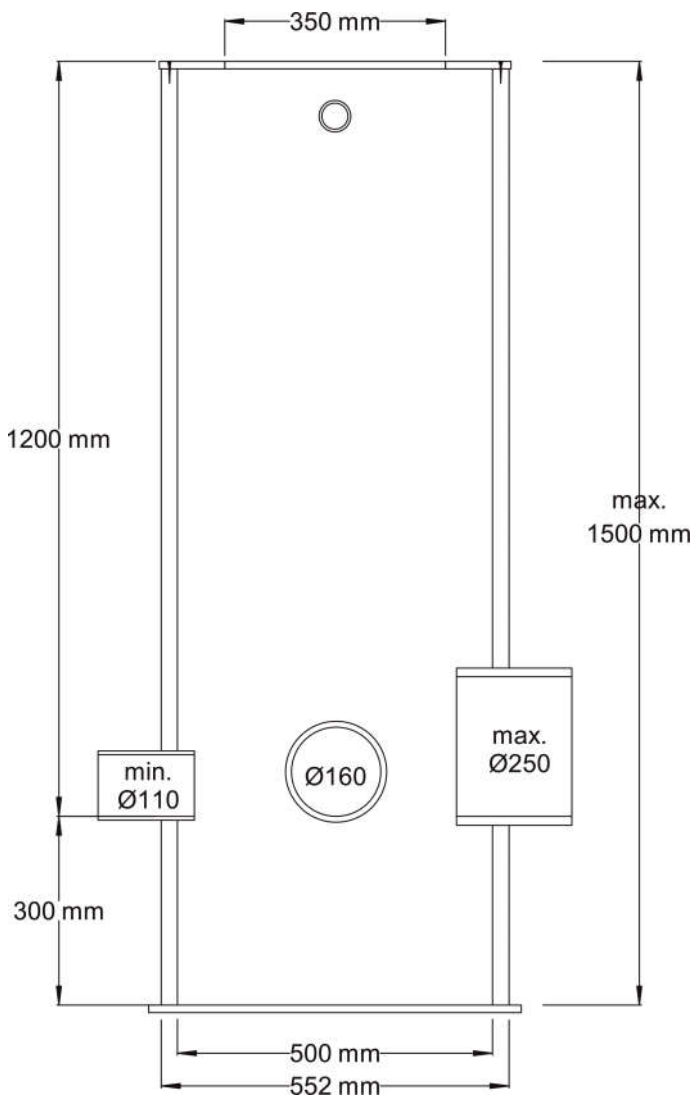
This product specification is neither giving nor implying warranty for the use of this information for design and installation, as these are beyond our control. The data provided is typical and based upon the mean values and we reserve the right to change the specifications without prior notice.



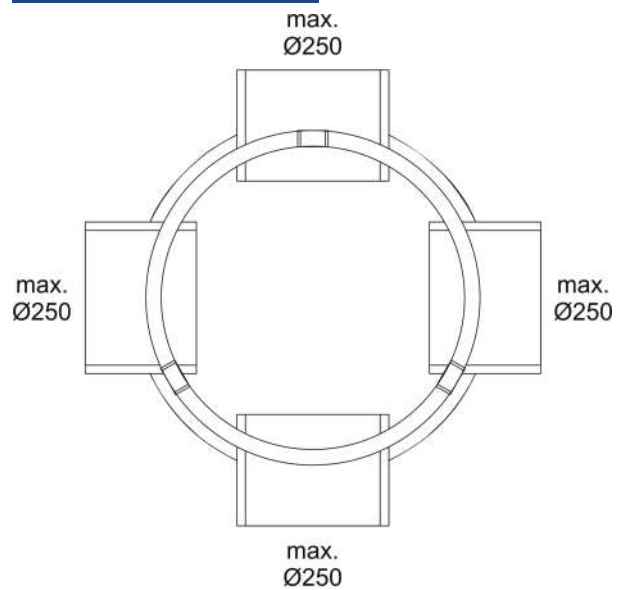
WASP05052

500mm \varnothing Chamber; 1.5m deep; 4 x spigots; max. 250mm \varnothing

CAD SECTION DETAIL



CAD PLAN DETAIL



Pipe spigot sizing and orientation shown is for indication only

CHAMBER SPIGOT DIAMETERS

Outside \varnothing	Inside \varnothing
110	98
160	142
225	199
250	222
0	0
0	0
0	0
0	0
0	0

For more information please contact 01254 589987 or email sales@selenvironmental.com

Disclaimer

This product specification is neither giving nor implying warranty for the use of this information for design and installation, as these are beyond our control. The data provided is typical and based upon the mean values and we reserve the right to change the specifications without prior notice.



WASP05053

500mm Ø Chamber; 2.0m deep; 4 x spigots; max. 250mm Ø

Description

The WASP05053 500mm diameter (ID) Catchpit Chamber is prefabricated to suit individual site requirements to a maximum height of 2000mm (including sump). Pipe connection spigots ranging from 110mmØ to 250mmØ (OD) are positioned to suit the manhole schedule. This chamber is supplied complete with a reduced access cover.

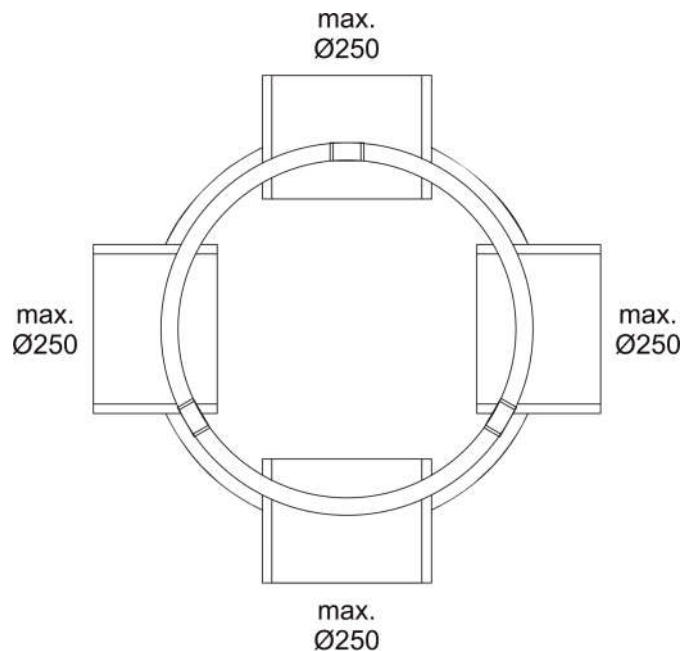
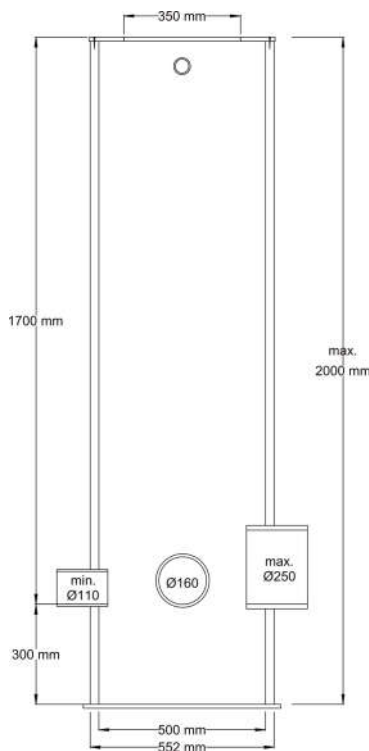
SPECIFICATION

Diameter (mm)	500
Depth (mm)	2000
Sump Depth (mm)	300
Nr Inlet Spigots	3
Nr Outlet Spigots	1
Spigot OD (mm)	110 to 250
Unit Weight (kg)	34
Core Material	HDPE

UNIVERSAL FOR ANY SUDS

TRAPS SILT AND DEBRIS

SUPPLIED WITH REDUCED ACCESS



Pipe spigot sizing and orientation shown is for indication only

For more information please contact 01254 589987 or email sales@selenvironmental.com

Disclaimer

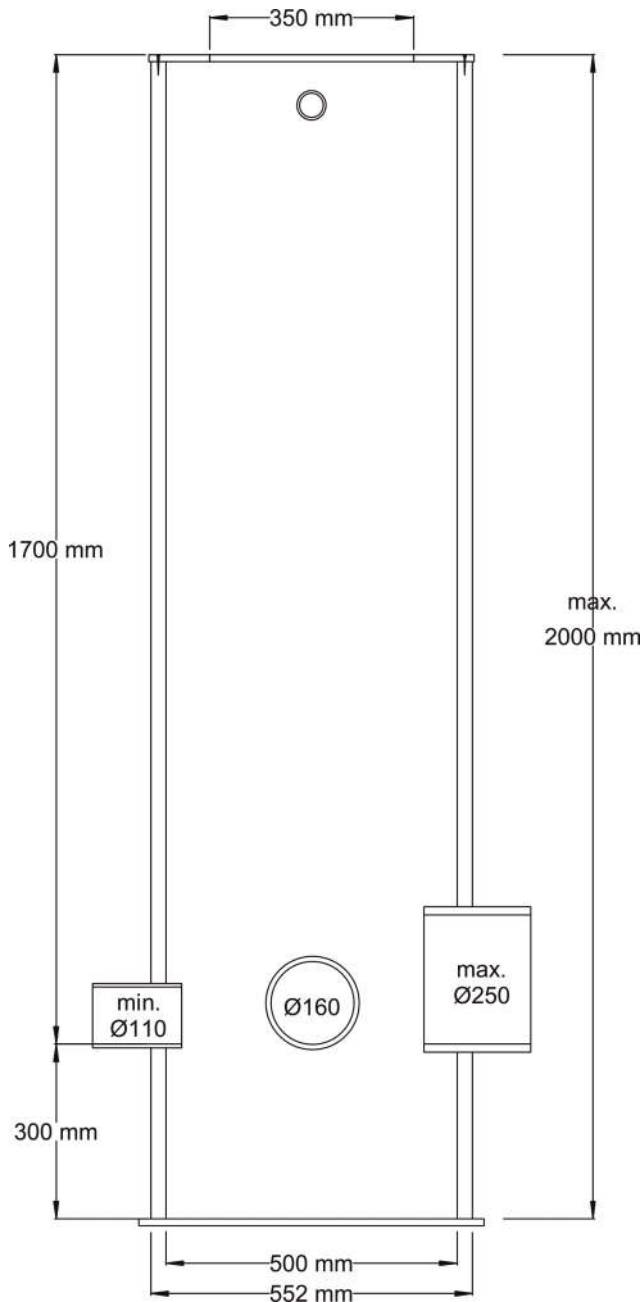
This product specification is neither giving nor implying warranty for the use of this information for design and installation, as these are beyond our control. The data provided is typical and based upon the mean values and we reserve the right to change the specifications without prior notice.



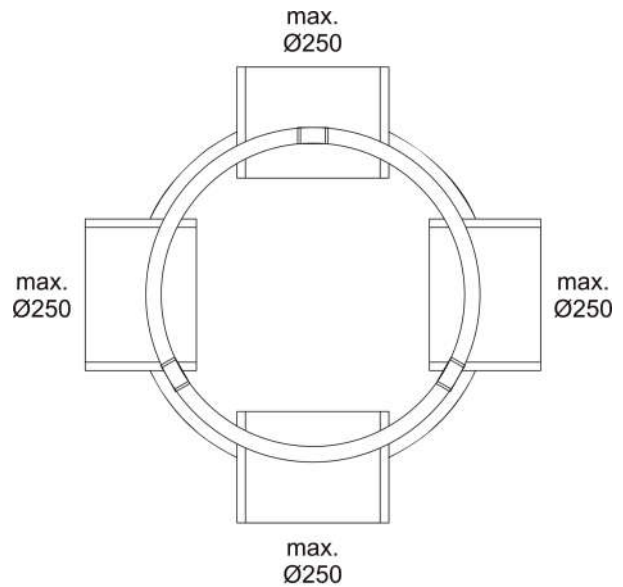
WASP05053

500mm \varnothing Chamber; 2.0m deep; 4 x spigots; max. 250mm \varnothing

CAD SECTION DETAIL



CAD PLAN DETAIL



Pipe spigot sizing and orientation shown is for indication only

CHAMBER SPIGOT DIAMETERS

Outside \varnothing	Inside \varnothing
110	98
160	142
225	199
250	222
0	0
0	0
0	0
0	0
0	0

For more information please contact 01254 589987 or email sales@selenvironmental.com

Disclaimer

This product specification is neither giving nor implying warranty for the use of this information for design and installation, as these are beyond our control. The data provided is typical and based upon the mean values and we reserve the right to change the specifications without prior notice.



WASP05054

500mm Ø Chamber; 2.5m deep; 4 x spigots; max. 250mm Ø

Description

The WASP05054 500mm diameter (ID) Catchpit Chamber is prefabricated to suit individual site requirements to a maximum height of 2500mm (including sump). Pipe connection spigots ranging from 110mmØ to 250mmØ (OD) are positioned to suit the manhole schedule. This chamber is supplied complete with a reduced access cover.

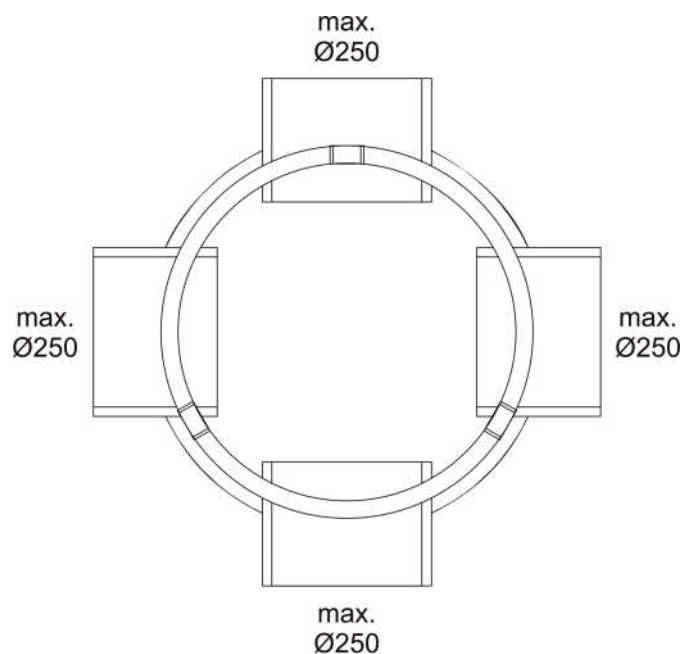
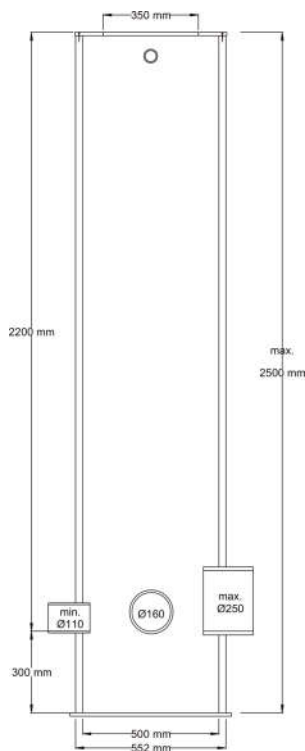
SPECIFICATION

Diameter (mm)	500
Depth (mm)	2500
Sump Depth (mm)	300
Nr Inlet Spigots	3
Nr Outlet Spigots	1
Spigot OD (mm)	110 to 250
Unit Weight (kg)	42
Core Material	HDPE

UNIVERSAL FOR ANY SUDS

TRAPS SILT AND DEBRIS

SUPPLIED WITH REDUCED ACCESS



Pipe spigot sizing and orientation shown is for indication only

For more information please contact 01254 589987 or email sales@selenvironmental.com

Disclaimer

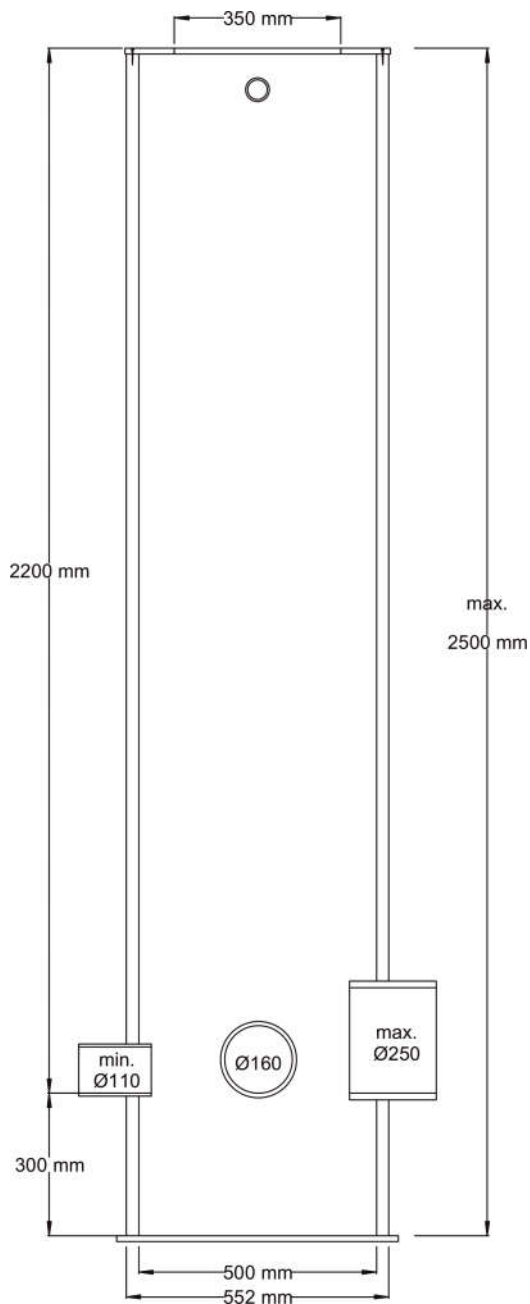
This product specification is neither giving nor implying warranty for the use of this information for design and installation, as these are beyond our control. The data provided is typical and based upon the mean values and we reserve the right to change the specifications without prior notice.



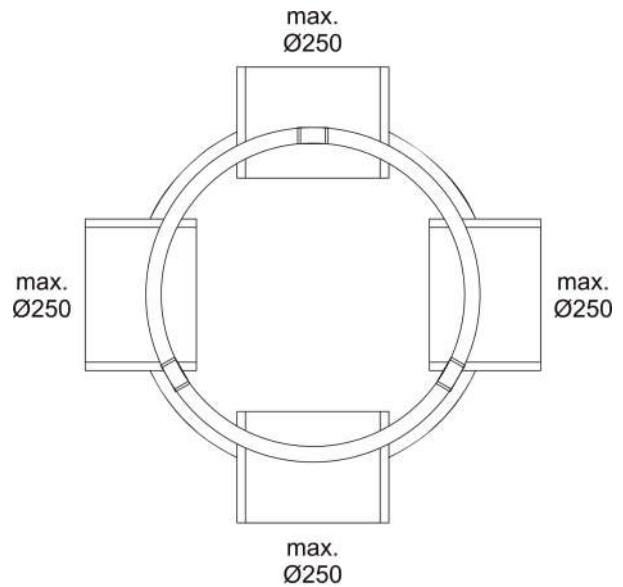
WASP05054

500mm \varnothing Chamber; 2.5m deep; 4 x spigots; max. 250mm \varnothing

CAD SECTION DETAIL



CAD PLAN DETAIL



Pipe spigot sizing and orientation shown is for indication only

CHAMBER SPIGOT DIAMETERS

Outside \varnothing	Inside \varnothing
110	98
160	142
225	199
250	222
0	0
0	0
0	0
0	0
0	0

For more information please contact 01254 589987 or email sales@selenvironmental.com

Disclaimer

This product specification is neither giving nor implying warranty for the use of this information for design and installation, as these are beyond our control. The data provided is typical and based upon the mean values and we reserve the right to change the specifications without prior notice.



WASP
Water Ancillary Specialist Products

WASP05100 Series 600mm Ø Chambers Restricted Access

For more information please contact 01254 589987 or email sales@selenvironmental.com

Disclaimer

This product specification is neither giving nor implying warranty for the use of this information for design and installation, as these are beyond our control. The data provided is typical and based upon the mean values and we reserve the right to change the specifications without prior notice.



WASP05101

600mm Ø Chamber; 1.0m deep; 4 x spigots; max. 315mm Ø

Description

The WASP05101 600mm diameter (ID) Catchpit Chamber is prefabricated to suit individual site requirements to a maximum height of 1000mm (including sump). Pipe connection spigots ranging from 110mmØ to 315mmØ (OD) are positioned to suit the manhole schedule.

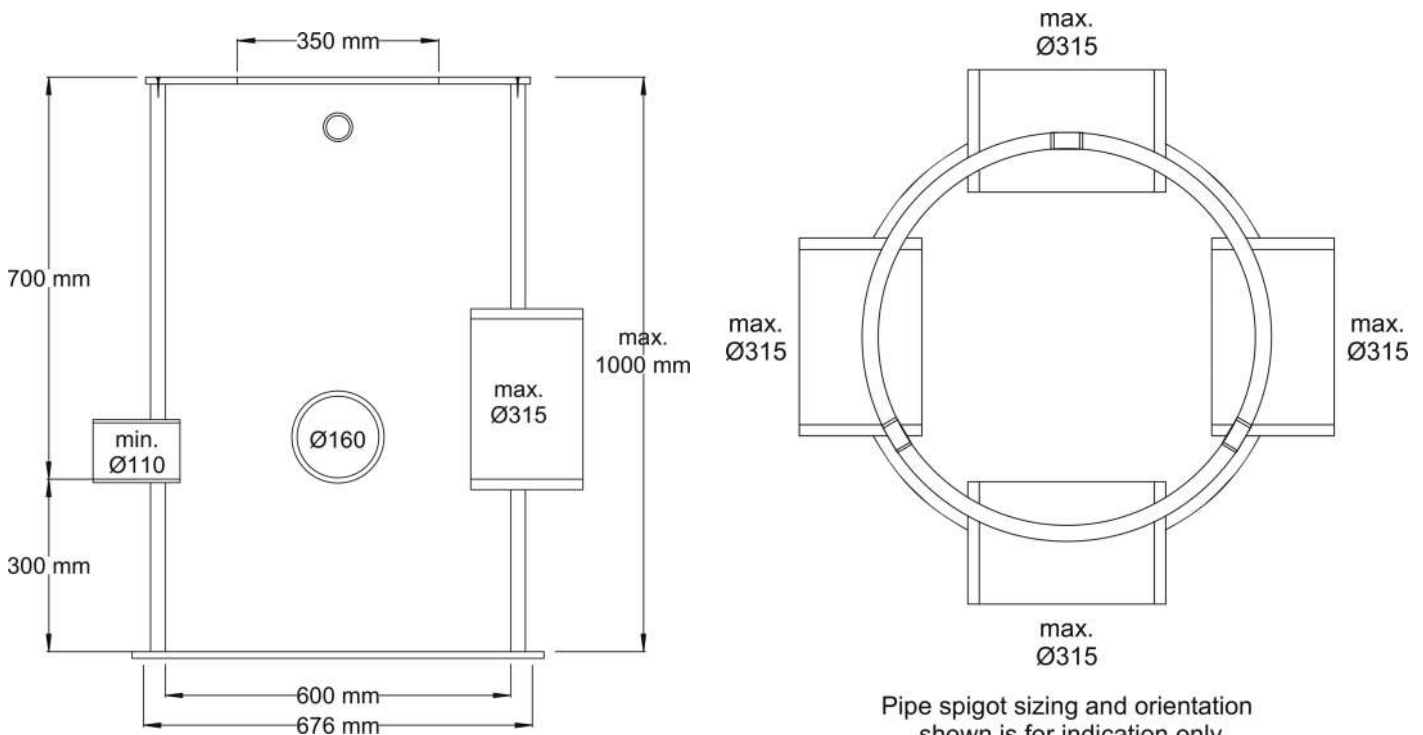
SPECIFICATION

Diameter (mm)	600
Depth (mm)	1000
Sump Depth (mm)	300
Nr Inlet Spigots	3
Nr Outlet Spigots	1
Spigot OD (mm)	110 to 315
Unit Weight (kg)	19
Core Material	HDPE

UNIVERSAL FOR ANY SUDS

MULTIPLE INLET / OUTLET OPTIONS

TRAPS SILT AND DEBRIS



For more information please contact 01254 589987 or email sales@selenvironmental.com

Disclaimer

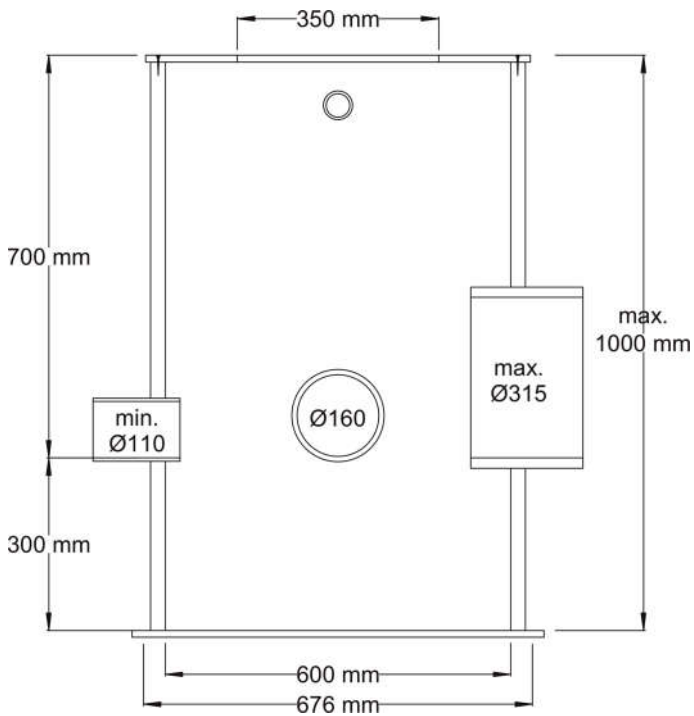
This product specification is neither giving nor implying warranty for the use of this information for design and installation, as these are beyond our control. The data provided is typical and based upon the mean values and we reserve the right to change the specifications without prior notice.



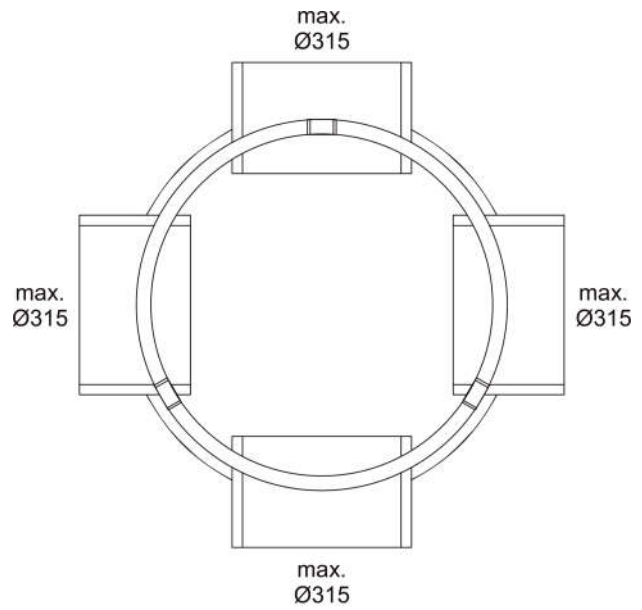
WASP05101

600mm Ø Chamber; 1.0m deep; 4 x spigots; max. 315mm Ø

CAD SECTION DETAIL



CAD PLAN DETAIL



Pipe spigot sizing and orientation shown is for indication only

CHAMBER SPIGOT DIAMETERS

Outside Ø	Inside Ø
110	98
160	142
225	199
250	222
315	279
0	0
0	0
0	0
0	0

For more information please contact 01254 589987 or email sales@selenvironmental.com

Disclaimer

This product specification is neither giving nor implying warranty for the use of this information for design and installation, as these are beyond our control. The data provided is typical and based upon the mean values and we reserve the right to change the specifications without prior notice.



WASP05102

600mm Ø Chamber; 1.5m deep; 4 x spigots; max. 315mm Ø

Description

The WASP05102 600mm diameter (ID) Catchpit Chamber is prefabricated to suit individual site requirements to a maximum height of 1500mm (including sump). Pipe connection spigots ranging from 110mmØ to 315mmØ (OD) are positioned to suit the manhole schedule. This chamber is supplied complete with a reduced access cover.

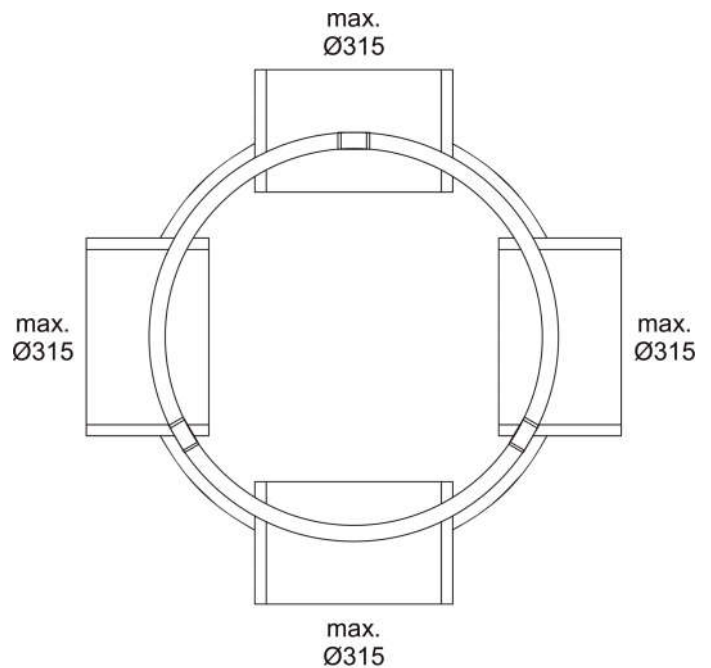
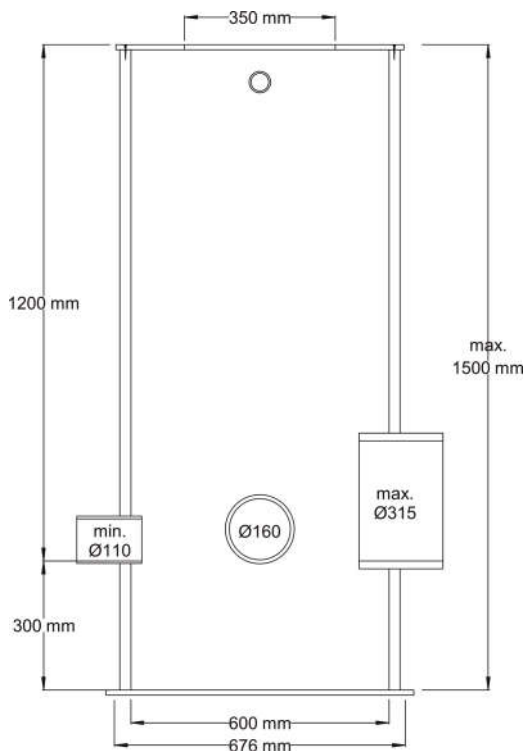
SPECIFICATION

Diameter (mm)	600
Depth (mm)	1500
Sump Depth (mm)	300
Nr Inlet Spigots	3
Nr Outlet Spigots	1
Spigot OD (mm)	110 to 315
Unit Weight (kg)	29
Core Material	HDPE

UNIVERSAL FOR ANY SUDS

TRAPS SILT AND DEBRIS

SUPPLIED WITH REDUCED ACCESS



Pipe spigot sizing and orientation shown is for indication only

For more information please contact 01254 589987 or email sales@selenvironmental.com

Disclaimer

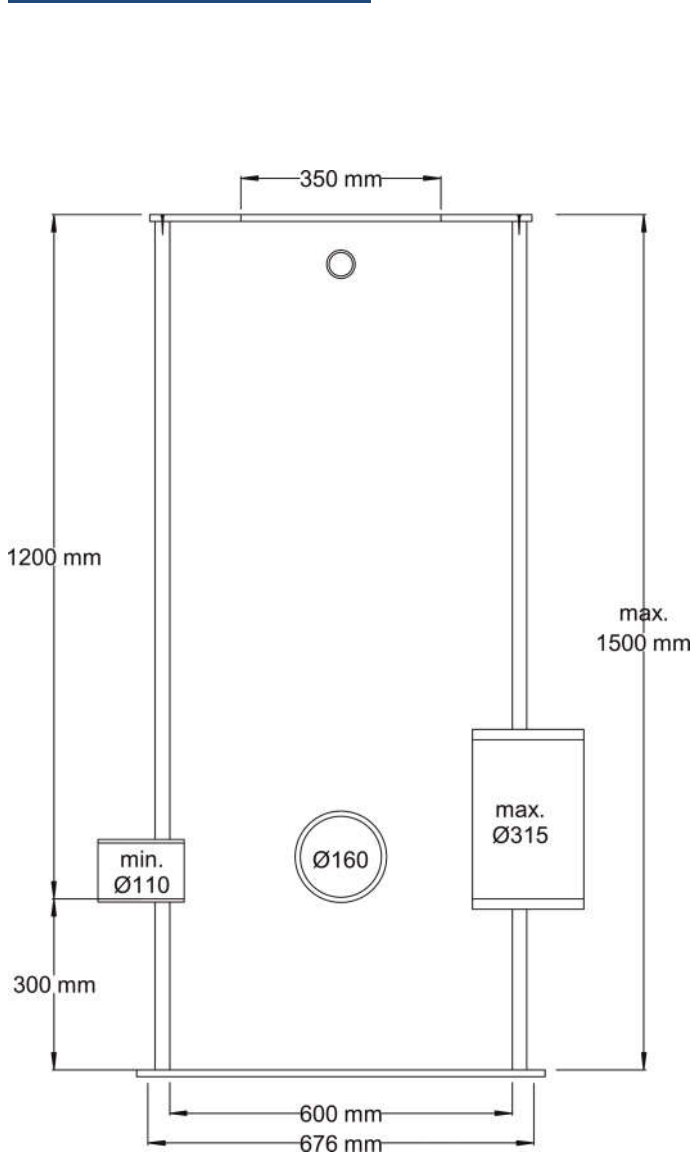
This product specification is neither giving nor implying warranty for the use of this information for design and installation, as these are beyond our control. The data provided is typical and based upon the mean values and we reserve the right to change the specifications without prior notice.



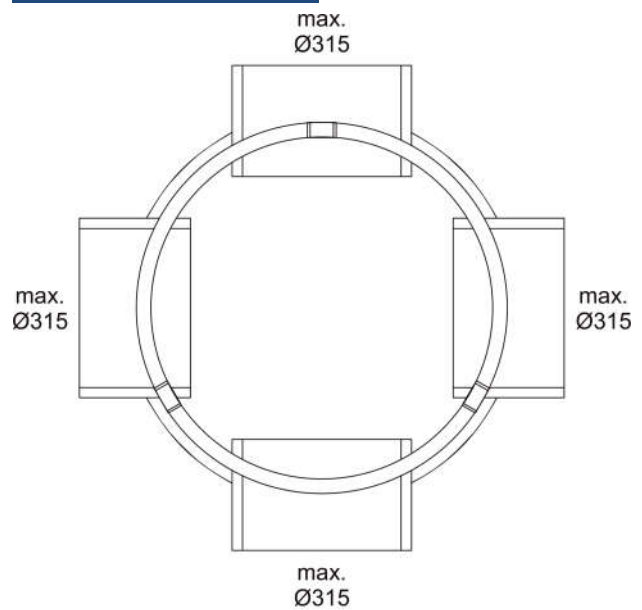
WASP05102

600mm Ø Chamber; 1.5m deep; 4 x spigots; max. 315mm Ø

CAD SECTION DETAIL



CAD PLAN DETAIL



Pipe spigot sizing and orientation shown is for indication only

CHAMBER SPIGOT DIAMETERS

Outside Ø	Inside Ø
110	98
160	142
225	199
250	222
315	279
0	0
0	0
0	0
0	0

For more information please contact 01254 589987 or email sales@selenvironmental.com

Disclaimer

This product specification is neither giving nor implying warranty for the use of this information for design and installation, as these are beyond our control. The data provided is typical and based upon the mean values and we reserve the right to change the specifications without prior notice.



WASP05103

600mm Ø Chamber; 2.0m deep; 4 x spigots; max. 315mm Ø

Description

The WASP05103 600mm diameter (ID) Catchpit Chamber is prefabricated to suit individual site requirements to a maximum height of 2000mm (including sump). Pipe connection spigots ranging from 110mmØ to 315mmØ (OD) are positioned to suit the manhole schedule. This chamber is supplied complete with a reduced access cover.

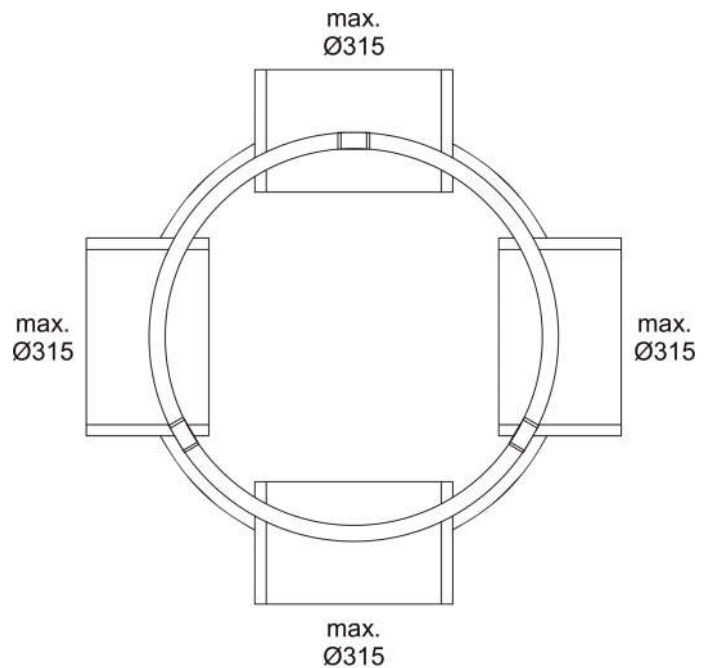
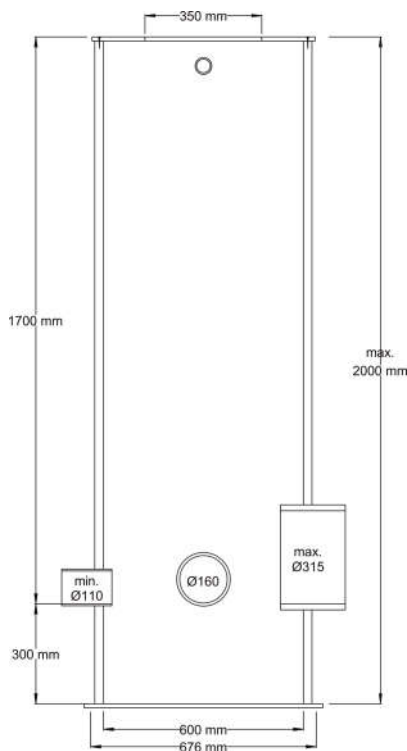
SPECIFICATION

Diameter (mm)	600
Depth (mm)	2000
Sump Depth (mm)	300
Nr Inlet Spigots	3
Nr Outlet Spigots	1
Spigot OD (mm)	110 to 315
Unit Weight (kg)	38
Core Material	HDPE

UNIVERSAL FOR ANY SUDS

TRAPS SILT AND DEBRIS

SUPPLIED WITH REDUCED ACCESS



Pipe spigot sizing and orientation shown is for indication only

For more information please contact 01254 589987 or email sales@selenvironmental.com

Disclaimer

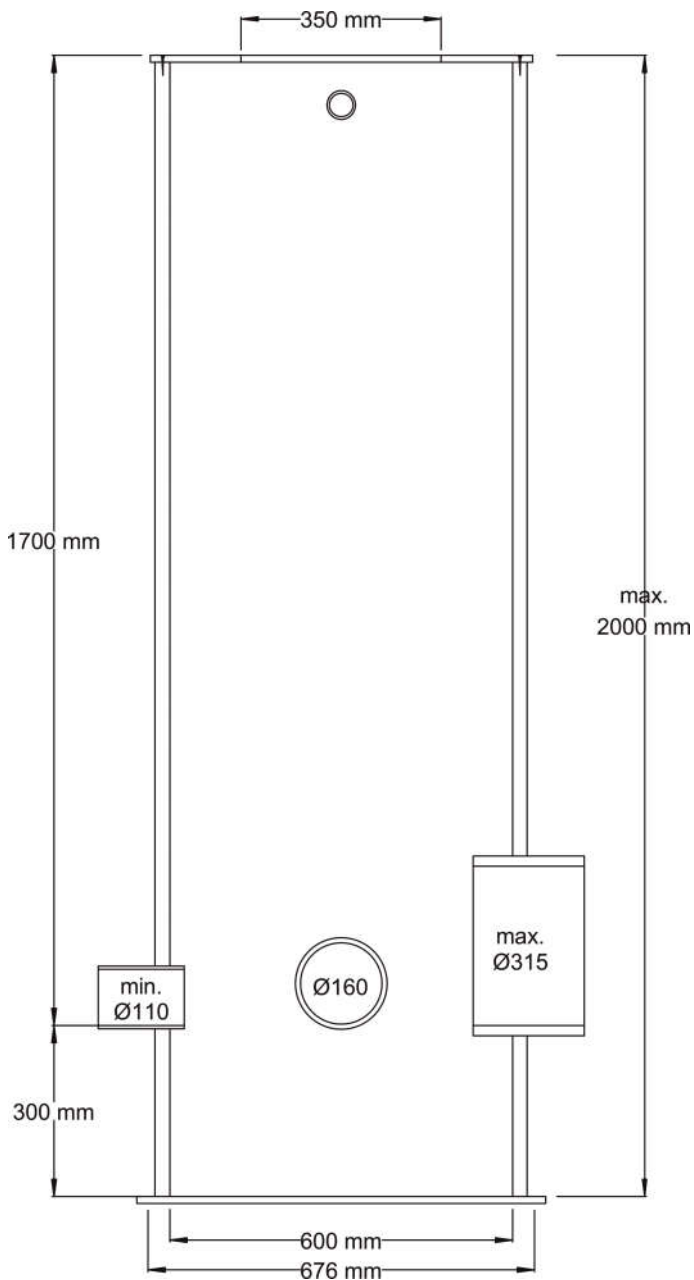
This product specification is neither giving nor implying warranty for the use of this information for design and installation, as these are beyond our control. The data provided is typical and based upon the mean values and we reserve the right to change the specifications without prior notice.



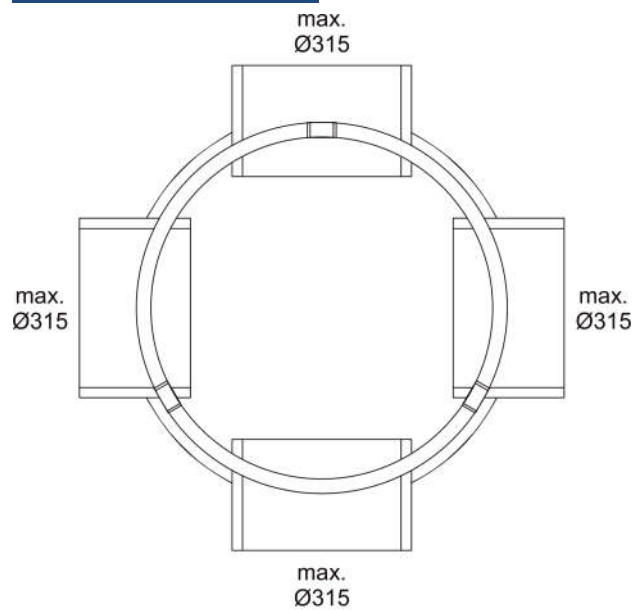
WASP05103

600mm Ø Chamber; 2.0m deep; 4 x spigots; max. 315mm Ø

CAD SECTION DETAIL



CAD PLAN DETAIL



Pipe spigot sizing and orientation shown is for indication only

CHAMBER SPIGOT DIAMETERS

Outside Ø	Inside Ø
110	98
160	142
225	199
250	222
315	279
0	0
0	0
0	0
0	0

For more information please contact 01254 589987 or email sales@selenvironmental.com

Disclaimer

This product specification is neither giving nor implying warranty for the use of this information for design and installation, as these are beyond our control. The data provided is typical and based upon the mean values and we reserve the right to change the specifications without prior notice.



WASP05104

600mm Ø Chamber; 2.5m deep; 4 x spigots; max. 315mm Ø

Description

The WASP05104 600mm diameter (ID) Catchpit Chamber is prefabricated to suit individual site requirements to a maximum height of 2500mm (including sump). Pipe connection spigots ranging from 110mmØ to 315mmØ (OD) are positioned to suit the manhole schedule. This chamber is supplied complete with a reduced access cover.

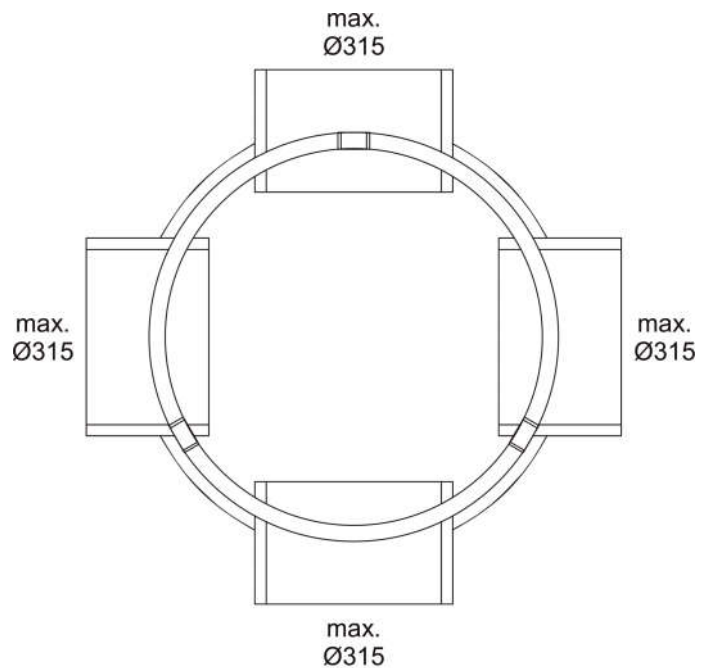
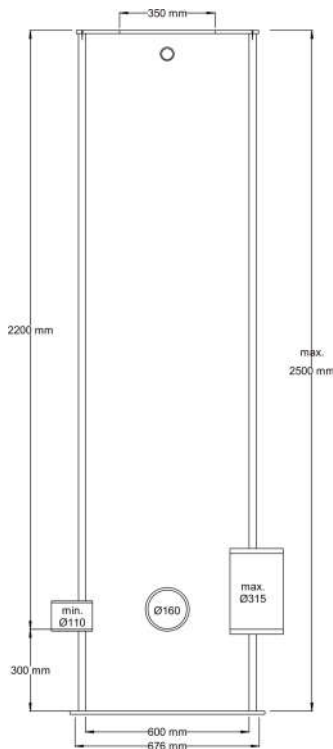
SPECIFICATION

Diameter (mm)	600
Depth (mm)	2500
Sump Depth (mm)	300
Nr Inlet Spigots	3
Nr Outlet Spigots	1
Spigot OD (mm)	110 to 315
Unit Weight (kg)	48
Core Material	HDPE

UNIVERSAL FOR ANY SUDS

TRAPS SILT AND DEBRIS

SUPPLIED WITH REDUCED ACCESS



Pipe spigot sizing and orientation shown is for indication only

For more information please contact 01254 589987 or email sales@selenvironmental.com

Disclaimer

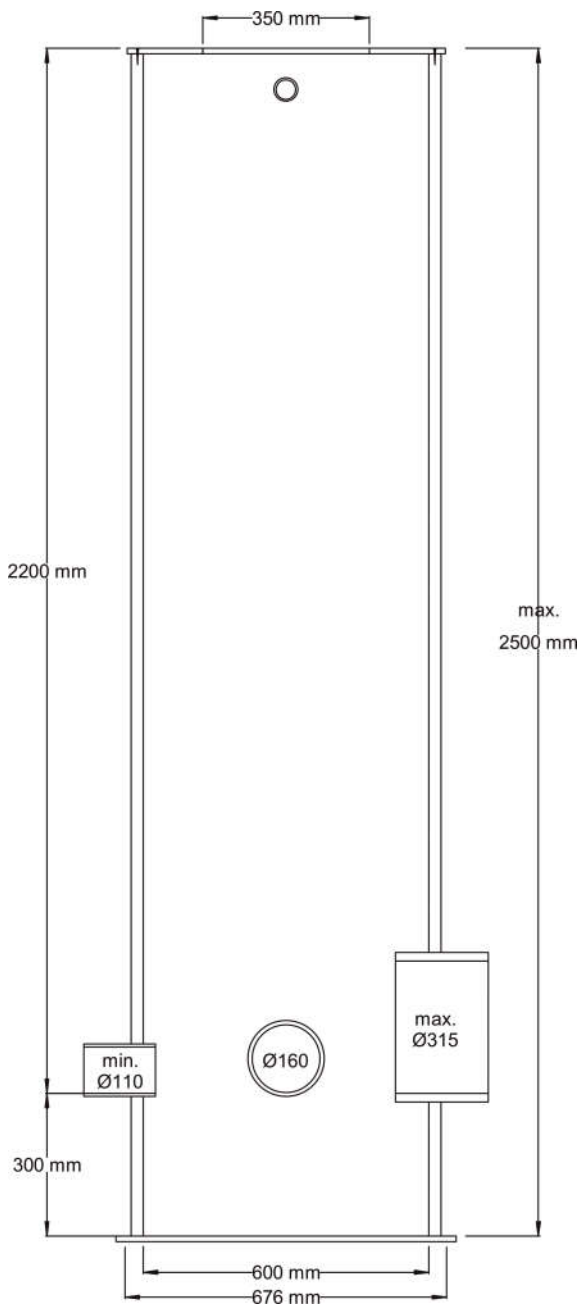
This product specification is neither giving nor implying warranty for the use of this information for design and installation, as these are beyond our control. The data provided is typical and based upon the mean values and we reserve the right to change the specifications without prior notice.



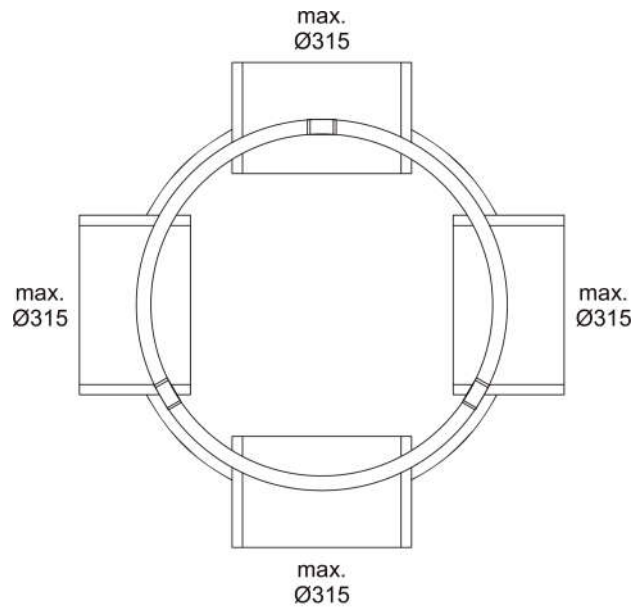
WASP05104

600mm \varnothing Chamber; 2.5m deep; 4 x spigots; max. 315mm \varnothing

CAD SECTION DETAIL



CAD PLAN DETAIL



Pipe spigot sizing and orientation shown is for indication only

CHAMBER SPIGOT DIAMETERS

Outside \varnothing	Inside \varnothing
110	98
160	142
225	199
250	222
315	279
0	0
0	0
0	0
0	0

For more information please contact 01254 589987 or email sales@selenvironmental.com

Disclaimer

This product specification is neither giving nor implying warranty for the use of this information for design and installation, as these are beyond our control. The data provided is typical and based upon the mean values and we reserve the right to change the specifications without prior notice.



WASP
Water Ancillary Specialist Products

WASP05250 Series 1200mm Ø Chambers Man Entry

For more information please contact 01254 589987 or email sales@selenvironmental.com

Disclaimer

This product specification is neither giving nor implying warranty for the use of this information for design and installation, as these are beyond our control. The data provided is typical and based upon the mean values and we reserve the right to change the specifications without prior notice.



WASP05251

1200mm Ø Chamber; 1.0m deep; 4 x spigots; max. 500mm Ø

Description

The WASP05251 1200mm diameter (ID) Catchpit Chamber is prefabricated to suit individual site requirements to a maximum height of 1000mm (including sump). Pipe connection spigots ranging from 110mmØ to 450mmØ (OD) and 500mmØ (ID) are positioned to suit the manhole schedule.

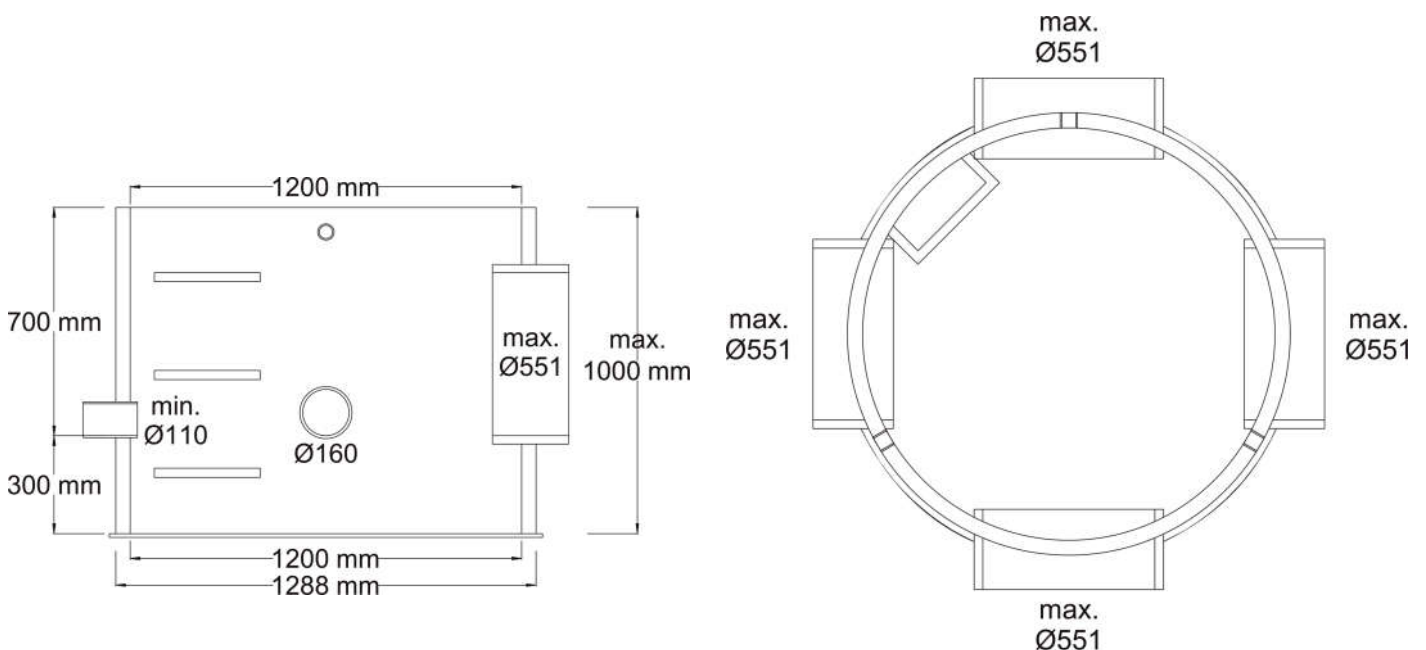
SPECIFICATION

Diameter (mm)	1200
Depth (mm)	1000
Sump Depth (mm)	300
Nr Inlet Spigots	3
Nr Outlet Spigots	1
Spigot OD (mm)	110 to 551
Unit Weight (kg)	58
Core Material	HDPE

UNIVERSAL FOR ANY SUDS

MULTIPLE INLET / OUTLET OPTIONS

TRAPS SILT AND DEBRIS



Pipe spigot sizing and orientation shown is for indication only

For more information please contact 01254 589987 or email sales@selenvironmental.com

Disclaimer

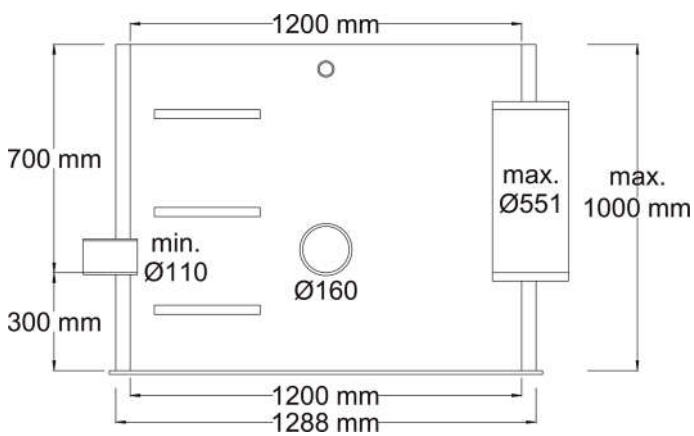
This product specification is neither giving nor implying warranty for the use of this information for design and installation, as these are beyond our control. The data provided is typical and based upon the mean values and we reserve the right to change the specifications without prior notice.



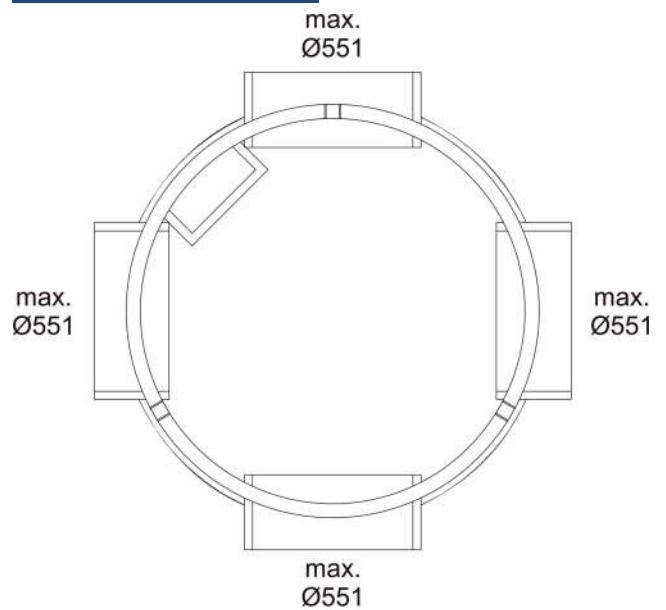
WASP05251

1200mm Ø Chamber; 1.0m deep; 4 x spigots; max. 500mm Ø

CAD SECTION DETAIL



CAD PLAN DETAIL



Pipe spigot sizing and orientation shown is for indication only

CHAMBER SPIGOT DIAMETERS

Outside Ø	Inside Ø
110	98
160	142
225	199
250	222
315	279
400	355
450	399
551	500
0	0

For more information please contact 01254 589987 or email sales@selenvironmental.com

Disclaimer

This product specification is neither giving nor implying warranty for the use of this information for design and installation, as these are beyond our control. The data provided is typical and based upon the mean values and we reserve the right to change the specifications without prior notice.



WASP05252

1200mm Ø Chamber; 1.5m deep; 4 x spigots; max. 500mm Ø

Description

The WASP05252 1200mm diameter (ID) Catchpit Chamber is prefabricated to suit individual site requirements to a maximum height of 1500mm (including sump). Pipe connection spigots ranging from 110mmØ to 450mmØ (OD) and 500mmØ (ID) are positioned to suit the manhole schedule.

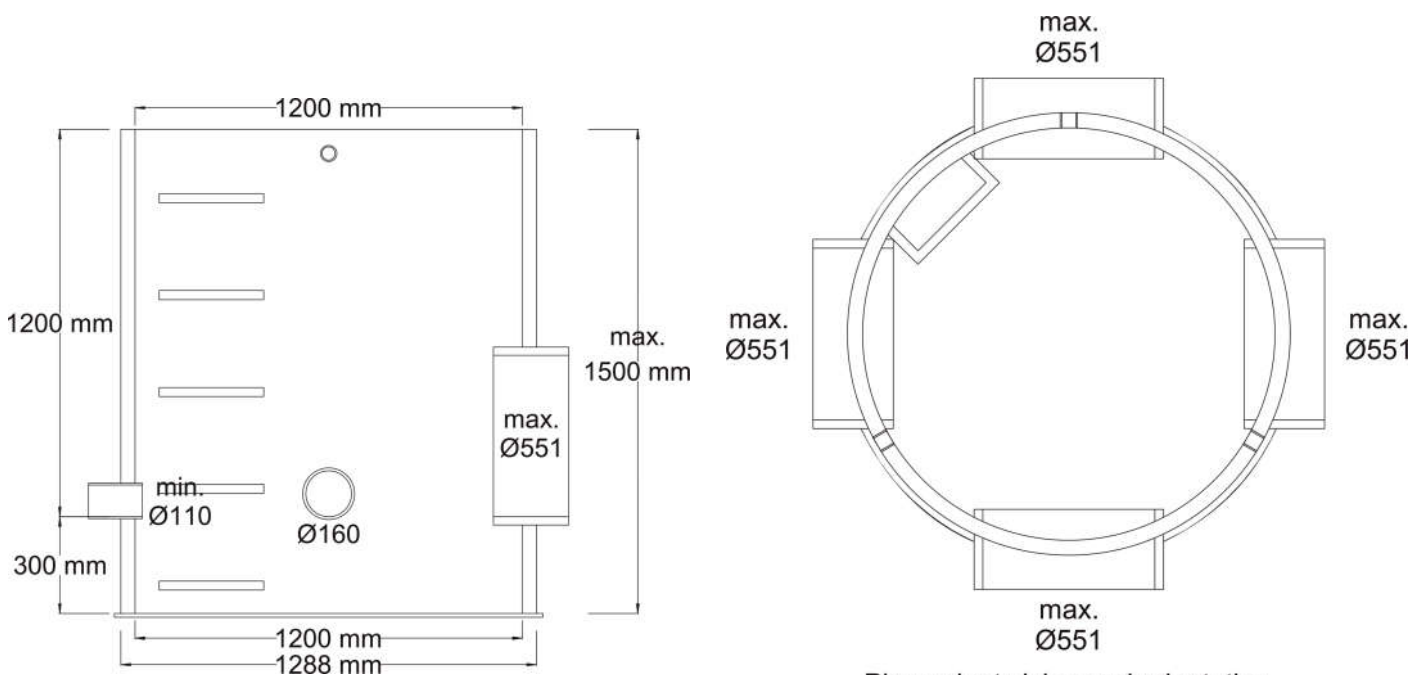
SPECIFICATION

Diameter (mm)	1200
Depth (mm)	1500
Sump Depth (mm)	300
Nr Inlet Spigots	3
Nr Outlet Spigots	1
Spigot OD (mm)	110 to 551
Unit Weight (kg)	87
Core Material	HDPE

UNIVERSAL FOR ANY SUDS

MULTIPLE INLET / OUTLET OPTIONS

TRAPS SILT AND DEBRIS



Pipe spigot sizing and orientation shown is for indication only

For more information please contact 01254 589987 or email sales@selenvironmental.com

Disclaimer

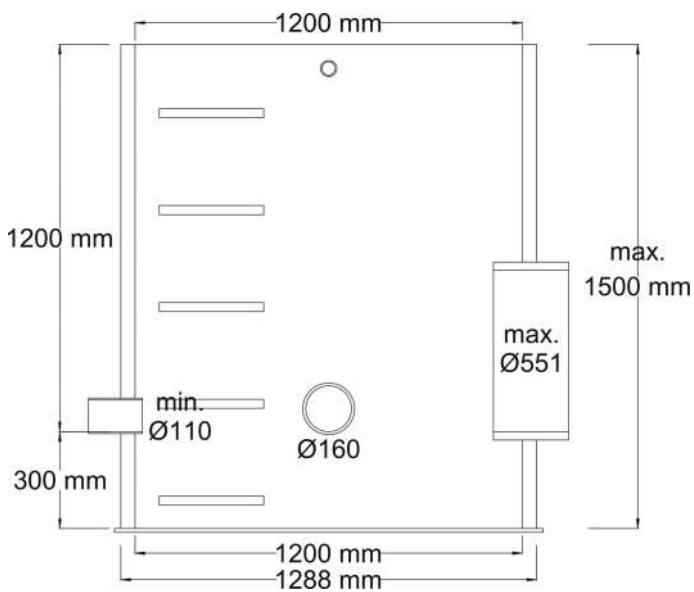
This product specification is neither giving nor implying warranty for the use of this information for design and installation, as these are beyond our control. The data provided is typical and based upon the mean values and we reserve the right to change the specifications without prior notice.



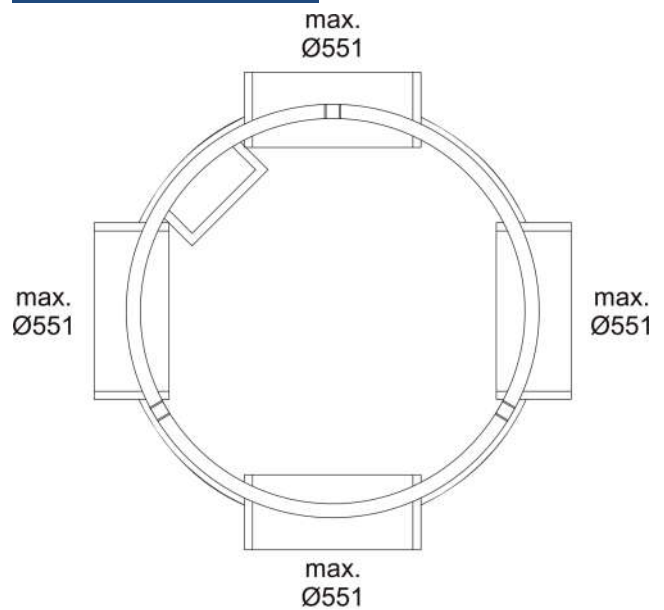
WASP05252

1200mm Ø Chamber; 1.5m deep; 4 x spigots; max. 500mm Ø

CAD SECTION DETAIL



CAD PLAN DETAIL



Pipe spigot sizing and orientation shown is for indication only

CHAMBER SPIGOT DIAMETERS

Outside Ø	Inside Ø
110	98
160	142
225	199
250	222
315	279
400	355
450	399
551	500
0	0

For more information please contact 01254 589987 or email sales@selenvironmental.com

Disclaimer

This product specification is neither giving nor implying warranty for the use of this information for design and installation, as these are beyond our control. The data provided is typical and based upon the mean values and we reserve the right to change the specifications without prior notice.



WASP05253

1200mm Ø Chamber; 2.0m deep; 4 x spigots; max. 500mm Ø

Description

The WASP05253 1200mm diameter (ID) Catchpit Chamber is prefabricated to suit individual site requirements to a maximum height of 2000mm (including sump). Pipe connection spigots ranging from 110mmØ to 450mmØ (OD) and 500mmØ (ID) are positioned to suit the manhole schedule.

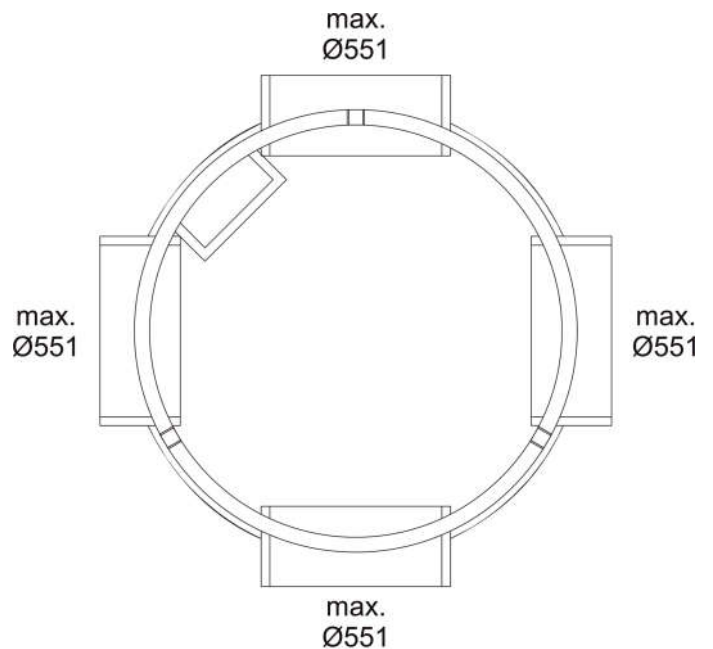
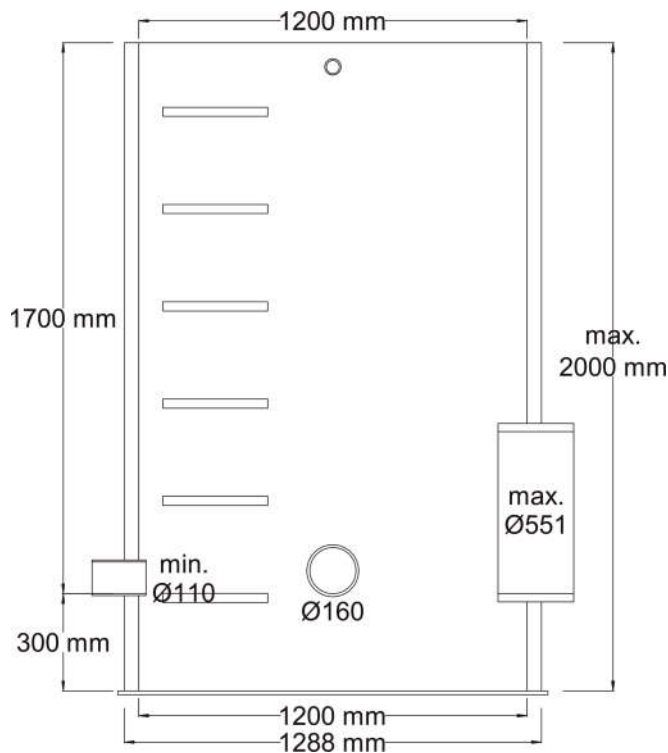
SPECIFICATION

Diameter (mm)	1200
Depth (mm)	2000
Sump Depth (mm)	300
Nr Inlet Spigots	3
Nr Outlet Spigots	1
Spigot OD (mm)	110 to 551
Unit Weight (kg)	116
Core Material	HDPE

UNIVERSAL FOR ANY SUDS

MULTIPLE INLET / OUTLET OPTIONS

TRAPS SILT AND DEBRIS



Pipe spigot sizing and orientation shown is for indication only

For more information please contact 01254 589987 or email sales@selenvironmental.com

Disclaimer

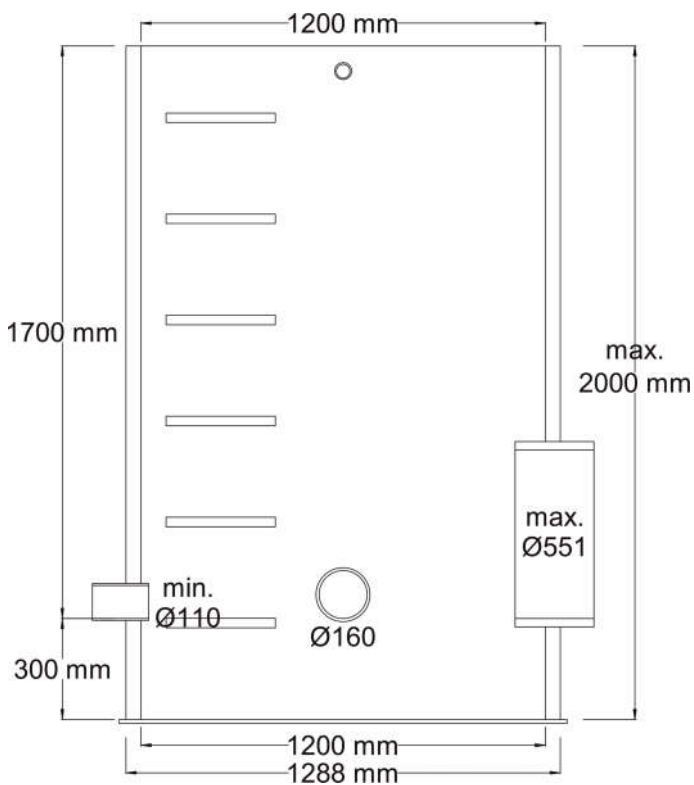
This product specification is neither giving nor implying warranty for the use of this information for design and installation, as these are beyond our control. The data provided is typical and based upon the mean values and we reserve the right to change the specifications without prior notice.



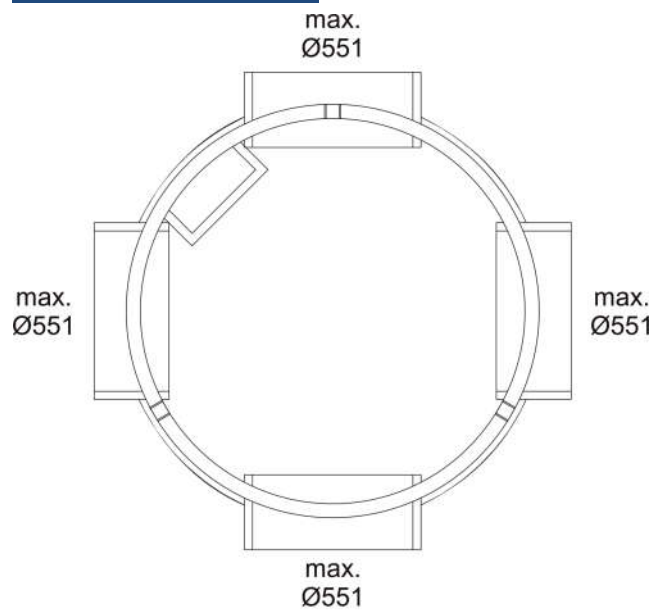
WASP05253

1200mm Ø Chamber; 2.0m deep; 4 x spigots; max. 500mm Ø

CAD SECTION DETAIL



CAD PLAN DETAIL



Pipe spigot sizing and orientation shown is for indication only

CHAMBER SPIGOT DIAMETERS

Outside Ø	Inside Ø
110	98
160	142
225	199
250	222
315	279
400	355
450	399
551	500
0	0

For more information please contact 01254 589987 or email sales@selenvironmental.com

Disclaimer

This product specification is neither giving nor implying warranty for the use of this information for design and installation, as these are beyond our control. The data provided is typical and based upon the mean values and we reserve the right to change the specifications without prior notice.



WASP05254

1200mm Ø Chamber; 2.5m deep; 4 x spigots; max. 500mm Ø

Description

The WASP05254 1200mm diameter (ID) Catchpit Chamber is prefabricated to suit individual site requirements to a maximum height of 2500mm (including sump). Pipe connection spigots ranging from 110mmØ to 450mmØ (OD) and 500mmØ (ID) are positioned to suit the manhole schedule.

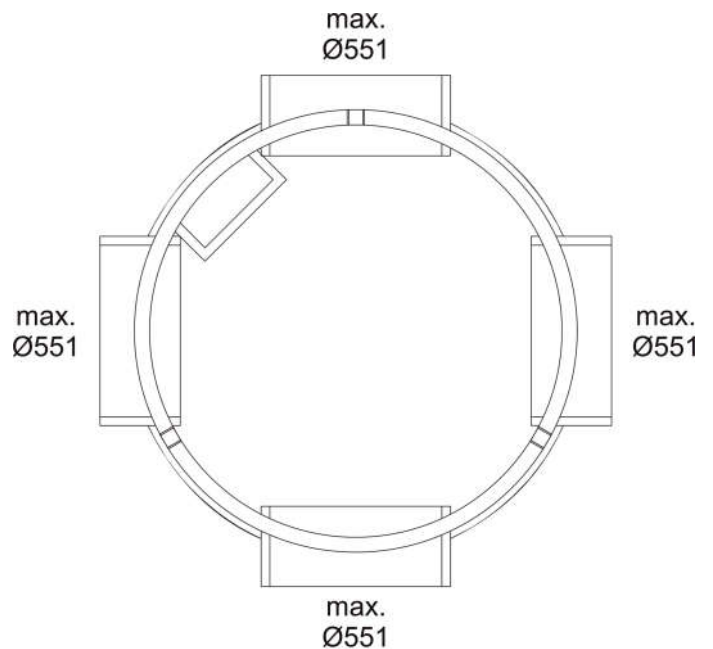
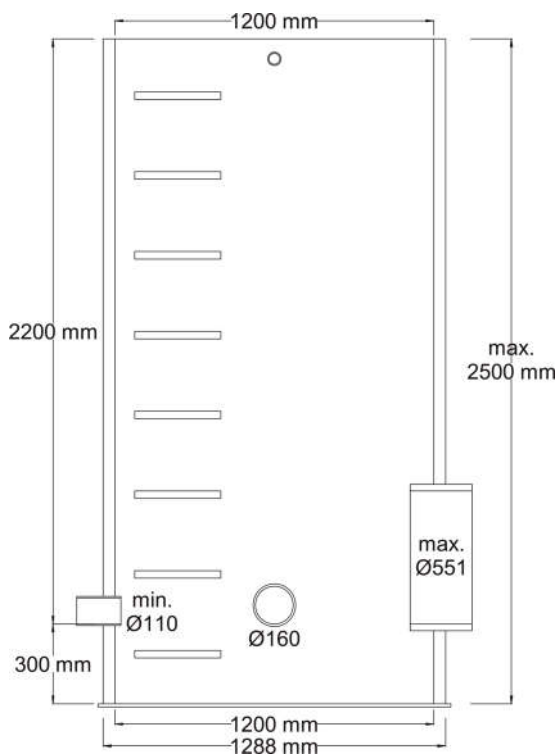
SPECIFICATION

Diameter (mm)	1200
Depth (mm)	2500
Sump Depth (mm)	300
Nr Inlet Spigots	3
Nr Outlet Spigots	1
Spigot OD (mm)	110 to 551
Unit Weight (kg)	145
Core Material	HDPE

UNIVERSAL FOR ANY SUDS

MULTIPLE INLET / OUTLET OPTIONS

TRAPS SILT AND DEBRIS



Pipe spigot sizing and orientation shown is for indication only

For more information please contact 01254 589987 or email sales@selenvironmental.com

Disclaimer

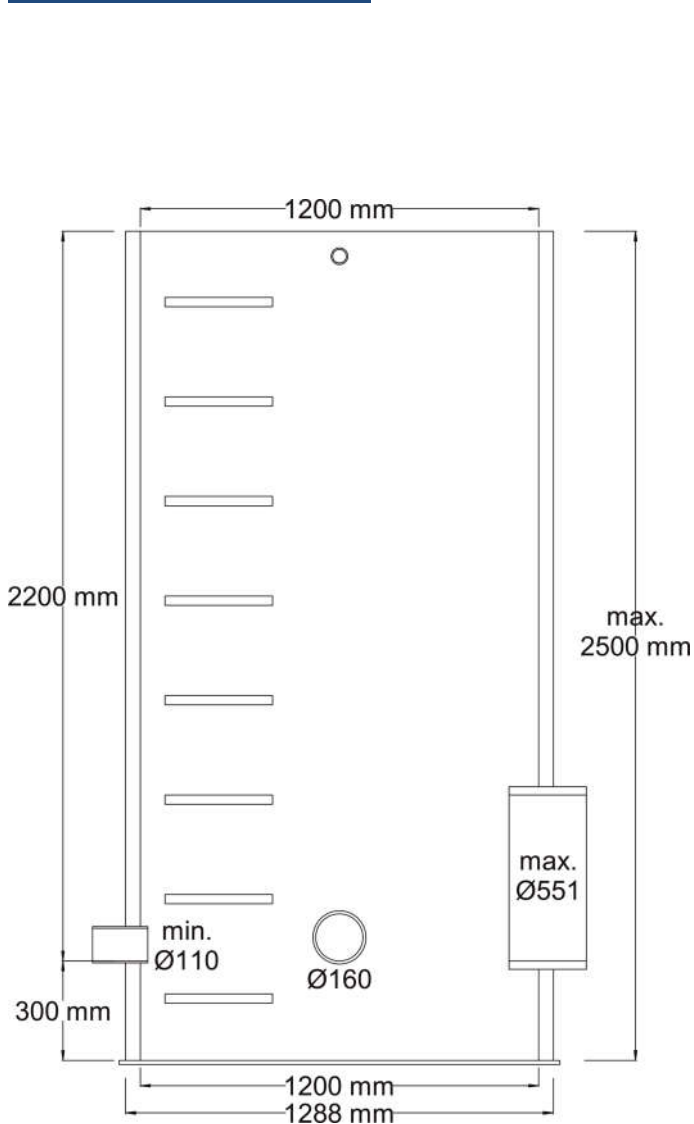
This product specification is neither giving nor implying warranty for the use of this information for design and installation, as these are beyond our control. The data provided is typical and based upon the mean values and we reserve the right to change the specifications without prior notice.



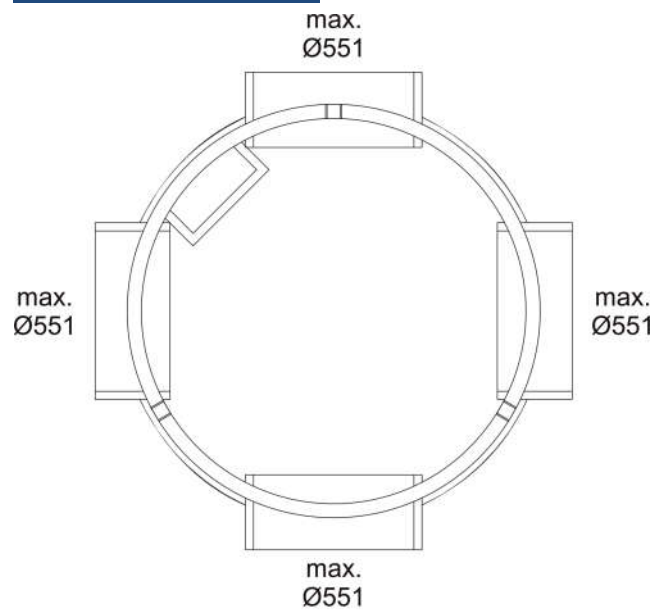
WASP05254

1200mm \varnothing Chamber; 2.5m deep; 4 x spigots; max. 500mm \varnothing

CAD SECTION DETAIL



CAD PLAN DETAIL



Pipe spigot sizing and orientation shown is for indication only

CHAMBER SPIGOT DIAMETERS

Outside \varnothing	Inside \varnothing
110	98
160	142
225	199
250	222
315	279
400	355
450	399
551	500
0	0

For more information please contact 01254 589987 or email sales@selenvironmental.com

Disclaimer

This product specification is neither giving nor implying warranty for the use of this information for design and installation, as these are beyond our control. The data provided is typical and based upon the mean values and we reserve the right to change the specifications without prior notice.



WASP
Water Ancillary Specialist Products

WASP05300 Series 1350mm Ø Chambers Man Entry

For more information please contact 01254 589987 or email sales@selenvironmental.com

Disclaimer

This product specification is neither giving nor implying warranty for the use of this information for design and installation, as these are beyond our control. The data provided is typical and based upon the mean values and we reserve the right to change the specifications without prior notice.



WASP05301

1350mm Ø Chamber; 1.0m deep; 4 x spigots; max. 600mm Ø

Description

The WASP05301 1350mm diameter (ID) Catchpit Chamber is prefabricated to suit individual site requirements to a maximum height of 1000mm (including sump). Pipe connection spigots ranging from 110mmØ to 450mmØ (OD) and 500mmØ to 600mmØ (ID) are positioned to suit manhole schedule.

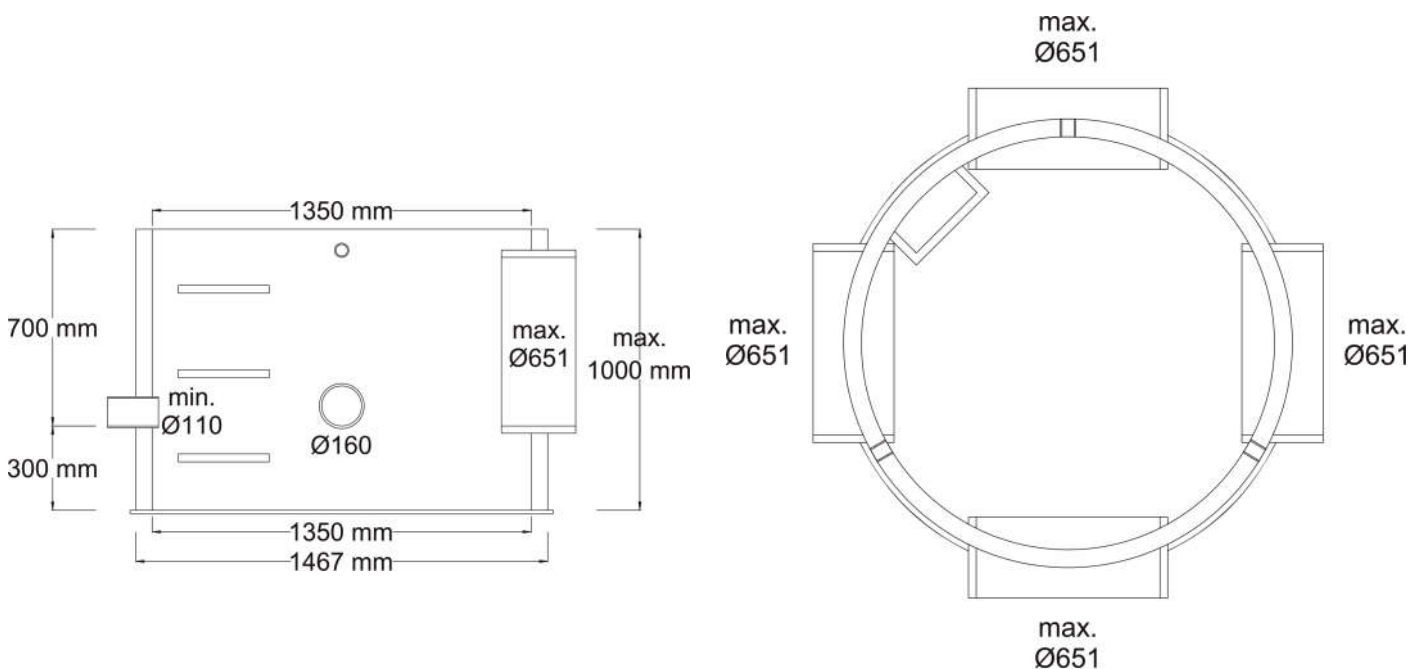
SPECIFICATION

Diameter (mm)	1350
Depth (mm)	1000
Sump Depth (mm)	300
Nr Inlet Spigots	3
Nr Outlet Spigots	1
Spigot OD (mm)	110 to 651
Unit Weight (kg)	80
Core Material	HDPE

UNIVERSAL FOR ANY SUDS

MULTIPLE INLET / OUTLET OPTIONS

TRAPS SILT AND DEBRIS



Pipe spigot sizing and orientation shown is for indication only

For more information please contact 01254 589987 or email sales@selenvironmental.com

Disclaimer

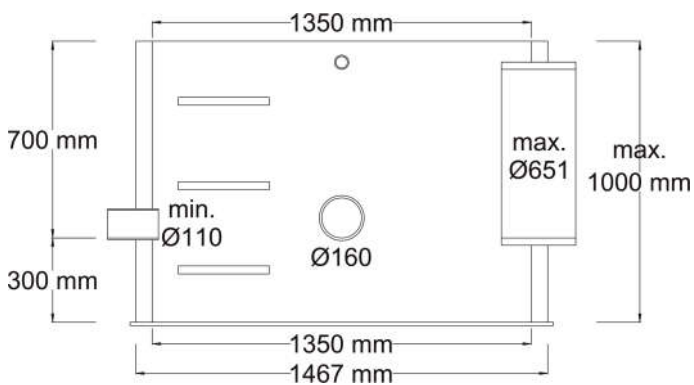
This product specification is neither giving nor implying warranty for the use of this information for design and installation, as these are beyond our control. The data provided is typical and based upon the mean values and we reserve the right to change the specifications without prior notice.



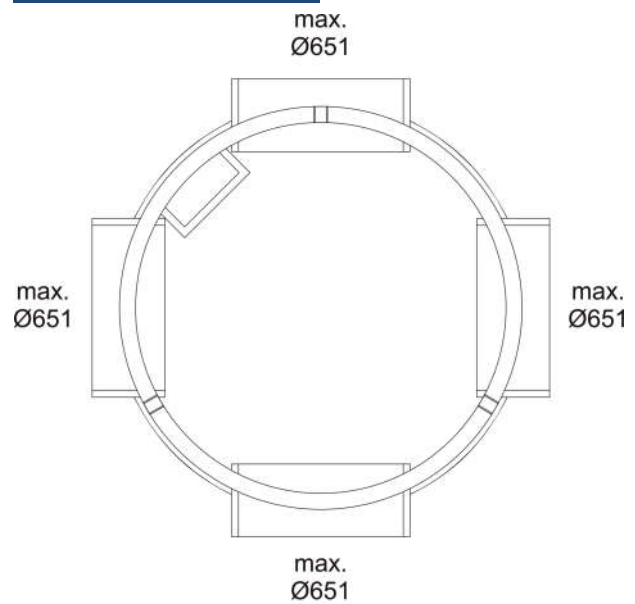
WASP05301

1350mm \varnothing Chamber; 1.0m deep; 4 x spigots; max. 600mm \varnothing

CAD SECTION DETAIL



CAD PLAN DETAIL



Pipe spigot sizing and orientation shown is for indication only

CHAMBER SPIGOT DIAMETERS

Outside \varnothing	Inside \varnothing
110	98
160	142
225	199
250	222
315	279
400	355
450	399
551	500
651	600

For more information please contact 01254 589987 or email sales@selenvironmental.com

Disclaimer

This product specification is neither giving nor implying warranty for the use of this information for design and installation, as these are beyond our control. The data provided is typical and based upon the mean values and we reserve the right to change the specifications without prior notice.



WASP05302

1350mm Ø Chamber; 1.5m deep; 4 x spigots; max. 600mm Ø

Description

The WASP05302 1350mm diameter (ID) Catchpit Chamber is prefabricated to suit individual site requirements to a maximum height of 1500mm (including sump). Pipe connection spigots ranging from 110mmØ to 450mmØ (OD) and 500mmØ to 600mmØ (ID) are positioned to suit manhole schedule.

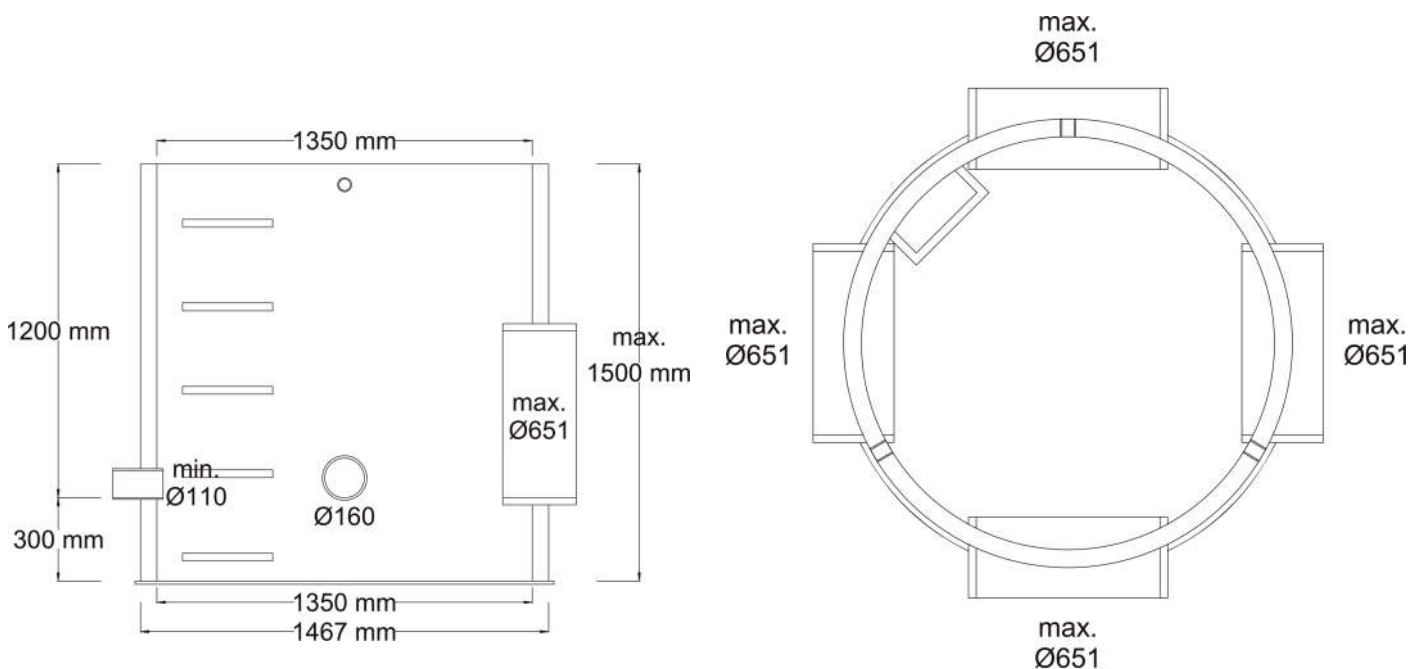
SPECIFICATION

Diameter (mm)	1350
Depth (mm)	1500
Sump Depth (mm)	300
Nr Inlet Spigots	3
Nr Outlet Spigots	1
Spigot OD (mm)	110 to 651
Unit Weight (kg)	120
Core Material	HDPE

UNIVERSAL FOR ANY SUDS

MULTIPLE INLET / OUTLET OPTIONS

TRAPS SILT AND DEBRIS



Pipe spigot sizing and orientation shown is for indication only

For more information please contact 01254 589987 or email sales@selenvironmental.com

Disclaimer

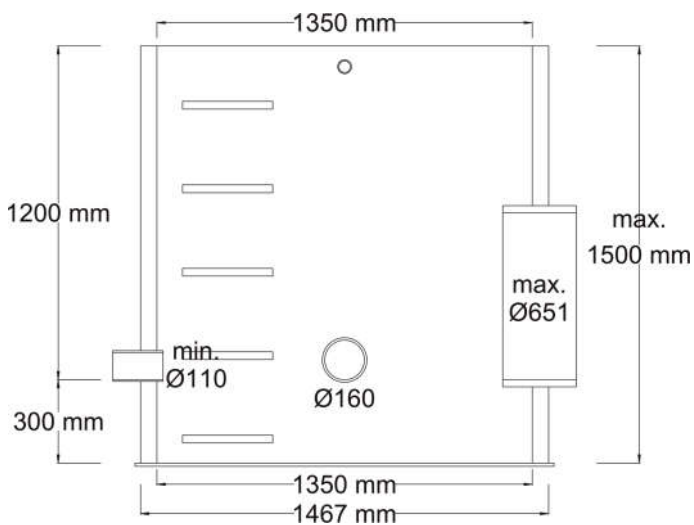
This product specification is neither giving nor implying warranty for the use of this information for design and installation, as these are beyond our control. The data provided is typical and based upon the mean values and we reserve the right to change the specifications without prior notice.



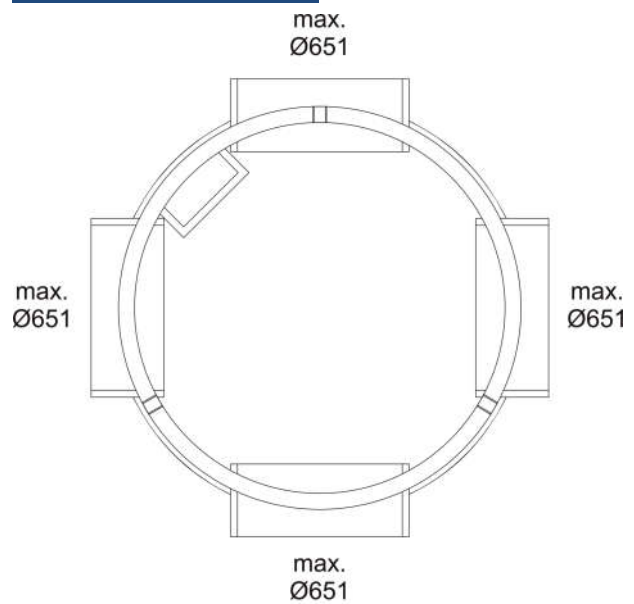
WASP05302

1350mm \varnothing Chamber; 1.5m deep; 4 x spigots; max. 600mm \varnothing

CAD SECTION DETAIL



CAD PLAN DETAIL



Pipe spigot sizing and orientation shown is for indication only

CHAMBER SPIGOT DIAMETERS

Outside \varnothing	Inside \varnothing
110	98
160	142
225	199
250	222
315	279
400	355
450	399
551	500
651	600

For more information please contact 01254 589987 or email sales@selenvironmental.com

Disclaimer

This product specification is neither giving nor implying warranty for the use of this information for design and installation, as these are beyond our control. The data provided is typical and based upon the mean values and we reserve the right to change the specifications without prior notice.



WASP05303

1350mm Ø Chamber; 2.0m deep; 4 x spigots; max. 600mm Ø

Description

The WASP05303 1350mm diameter (ID) Catchpit Chamber is prefabricated to suit individual site requirements to a maximum height of 2000mm (including sump). Pipe connection spigots ranging from 110mmØ to 450mmØ (OD) and 500mmØ to 600mmØ (ID) are positioned to suit manhole schedule.

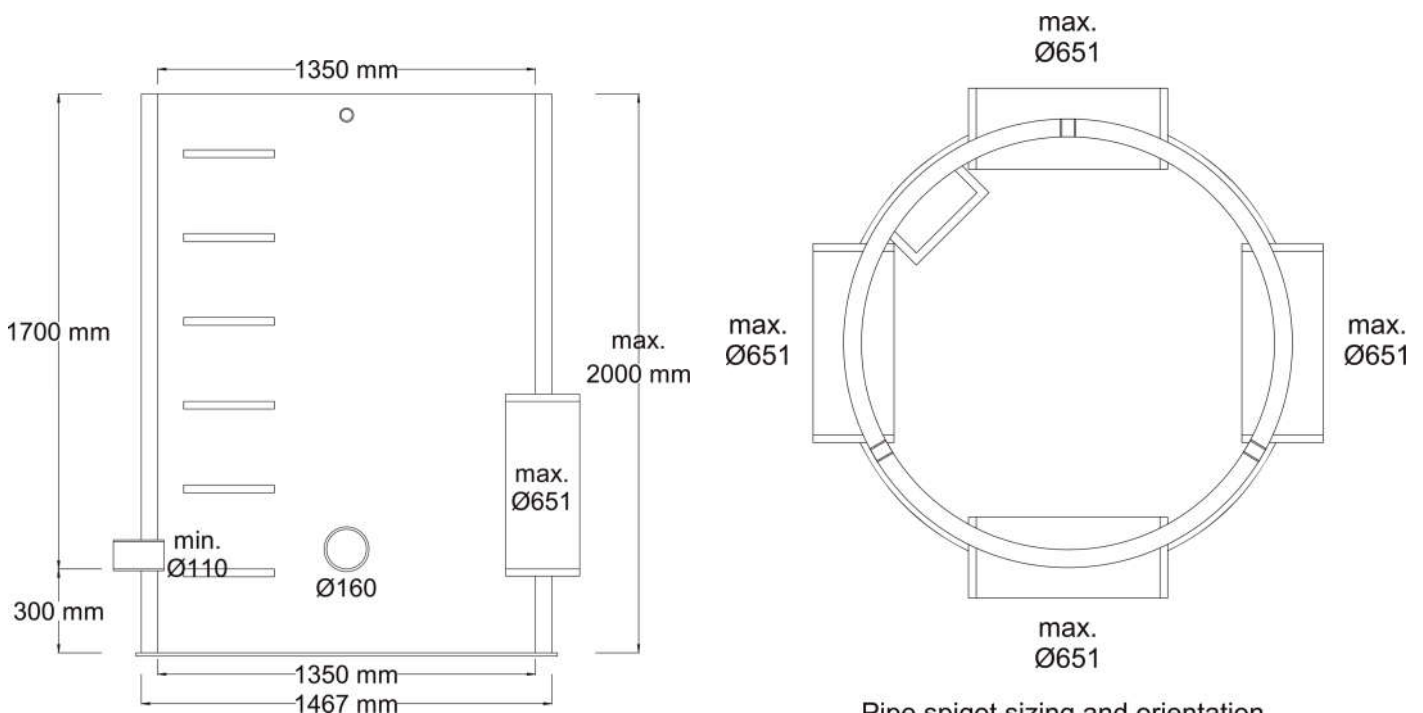
SPECIFICATION

Diameter (mm)	1350
Depth (mm)	2000
Sump Depth (mm)	300
Nr Inlet Spigots	3
Nr Outlet Spigots	1
Spigot OD (mm)	110 to 651
Unit Weight (kg)	160
Core Material	HDPE

UNIVERSAL FOR ANY SUDS

MULTIPLE INLET / OUTLET OPTIONS

TRAPS SILT AND DEBRIS



Pipe spigot sizing and orientation shown is for indication only

For more information please contact 01254 589987 or email sales@selenvironmental.com

Disclaimer

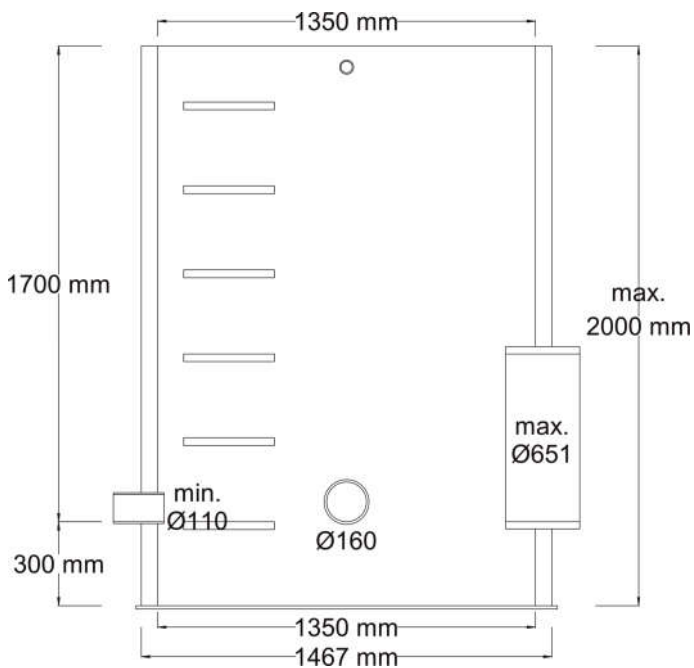
This product specification is neither giving nor implying warranty for the use of this information for design and installation, as these are beyond our control. The data provided is typical and based upon the mean values and we reserve the right to change the specifications without prior notice.



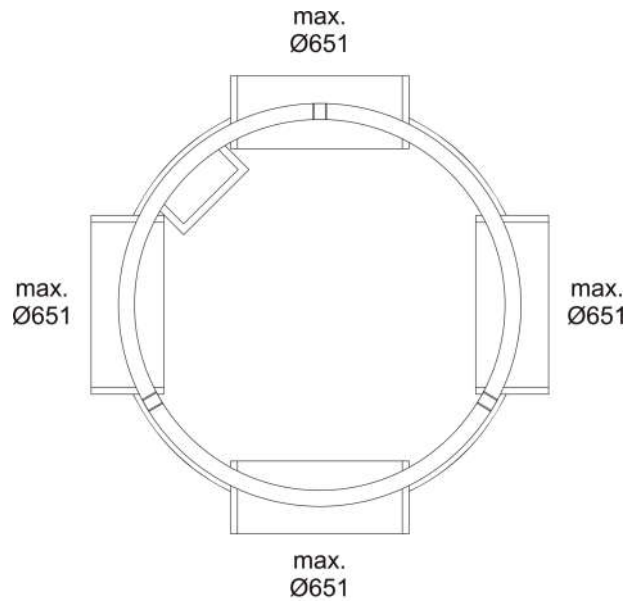
WASP05303

1350mm \emptyset Chamber; 2.0m deep; 4 x spigots; max. 600mm \emptyset

CAD SECTION DETAIL



CAD PLAN DETAIL



Pipe spigot sizing and orientation shown is for indication only

CHAMBER SPIGOT DIAMETERS

Outside \emptyset	Inside \emptyset
110	98
160	142
225	199
250	222
315	279
400	355
450	399
551	500
651	600

For more information please contact 01254 589987 or email sales@selenvironmental.com

Disclaimer

This product specification is neither giving nor implying warranty for the use of this information for design and installation, as these are beyond our control. The data provided is typical and based upon the mean values and we reserve the right to change the specifications without prior notice.



WASP05304

1350mm Ø Chamber; 2.5m deep; 4 x spigots; max. 600mm Ø

Description

The WASP05304 1350mm diameter (ID) Catchpit Chamber is prefabricated to suit individual site requirements to a maximum height of 2500mm (including sump). Pipe connection spigots ranging from 110mmØ to 450mmØ (OD) and 500mmØ to 600mmØ (ID) are positioned to suit manhole schedule.

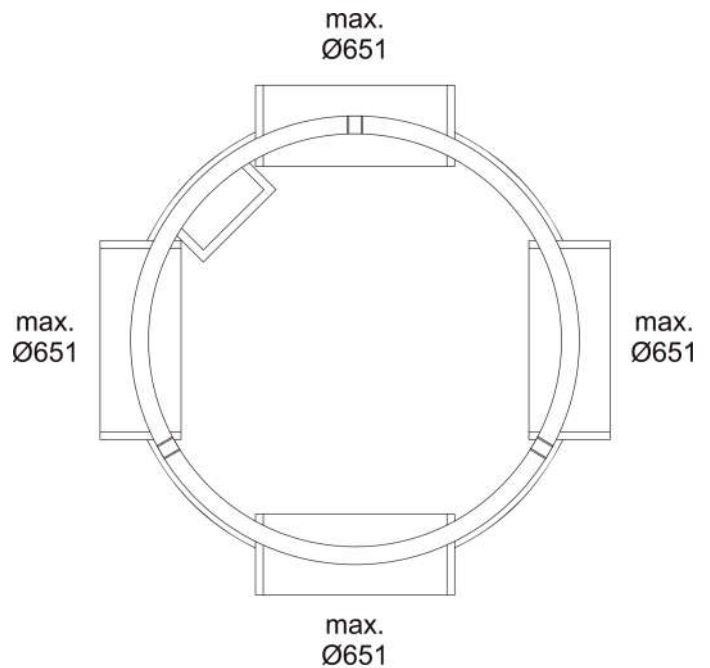
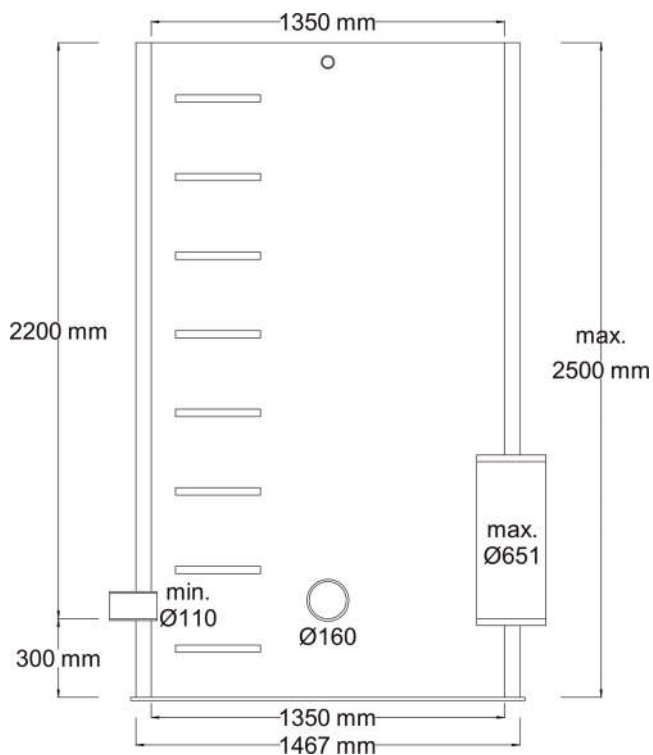
SPECIFICATION

Diameter (mm)	1350
Depth (mm)	2500
Sump Depth (mm)	300
Nr Inlet Spigots	3
Nr Outlet Spigots	1
Spigot OD (mm)	110 to 651
Unit Weight (kg)	200
Core Material	HDPE

UNIVERSAL FOR ANY SUDS

MULTIPLE INLET / OUTLET OPTIONS

TRAPS SILT AND DEBRIS



Pipe spigot sizing and orientation shown is for indication only

For more information please contact 01254 589987 or email sales@selenvironmental.com

Disclaimer

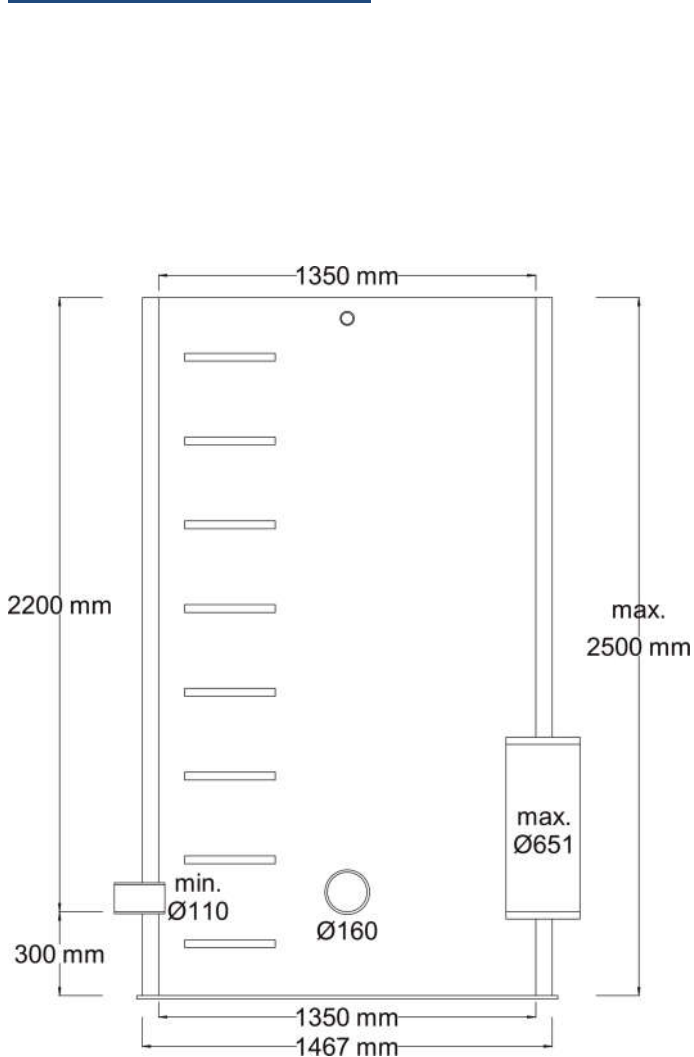
This product specification is neither giving nor implying warranty for the use of this information for design and installation, as these are beyond our control. The data provided is typical and based upon the mean values and we reserve the right to change the specifications without prior notice.



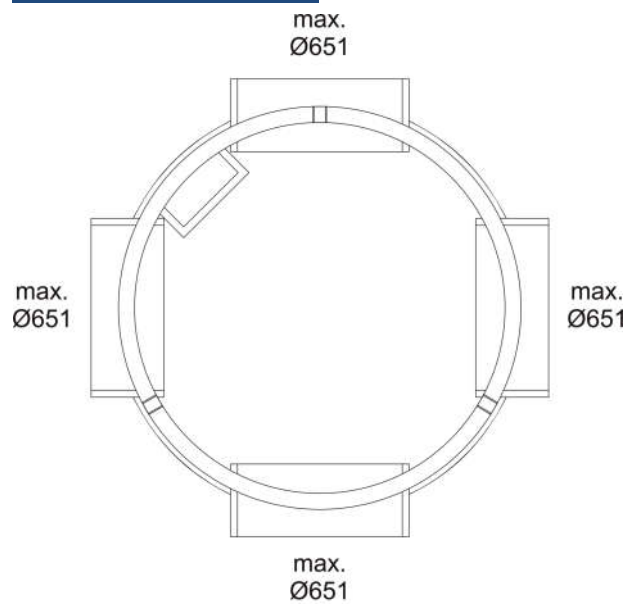
WASP05304

1350mm Ø Chamber; 2.5m deep; 4 x spigots; max. 600mm Ø

CAD SECTION DETAIL



CAD PLAN DETAIL



Pipe spigot sizing and orientation shown is for indication only

CHAMBER SPIGOT DIAMETERS

Outside Ø	Inside Ø
110	98
160	142
225	199
250	222
315	279
400	355
450	399
551	500
651	600

For more information please contact 01254 589987 or email sales@selenvironmental.com

Disclaimer

This product specification is neither giving nor implying warranty for the use of this information for design and installation, as these are beyond our control. The data provided is typical and based upon the mean values and we reserve the right to change the specifications without prior notice.



WASP
Water Ancillary Specialist Products

WASP05350 Series 1500mm Ø Chambers Man Entry

For more information please contact 01254 589987 or email sales@selenvironmental.com

Disclaimer

This product specification is neither giving nor implying warranty for the use of this information for design and installation, as these are beyond our control. The data provided is typical and based upon the mean values and we reserve the right to change the specifications without prior notice.



WASP05351

1500mm Ø Chamber; 1.0m deep; 4 x spigots; max. 600mm Ø

Description

The WASP05351 1500mm diameter (ID) Catchpit Chamber is prefabricated to suit individual site requirements up to a maximum height of 1000mm (including sump). Pipe connection spigots ranging from 110mmØ to 450mmØ (OD) and 500mmØ to 600mmØ (ID) are positioned to suit manhole schedule.

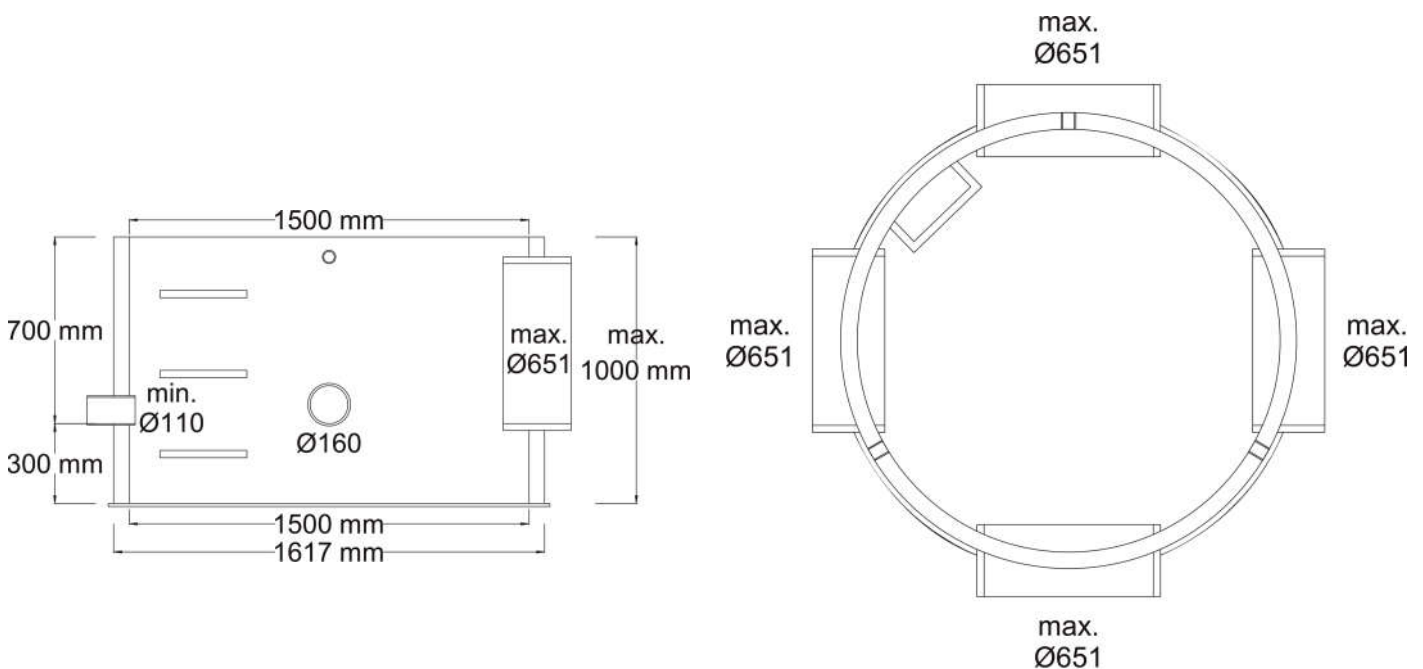
SPECIFICATION

Diameter (mm)	1500
Depth (mm)	1000
Sump Depth (mm)	300
Nr Inlet Spigots	3
Nr Outlet Spigots	1
Spigot OD (mm)	110 to 651
Unit Weight (kg)	88
Core Material	HDPE

UNIVERSAL FOR ANY SUDS

MULTIPLE INLET / OUTLET OPTIONS

TRAPS SILT AND DEBRIS



Pipe spigot sizing and orientation shown is for indication only

For more information please contact 01254 589987 or email sales@selenvironmental.com

Disclaimer

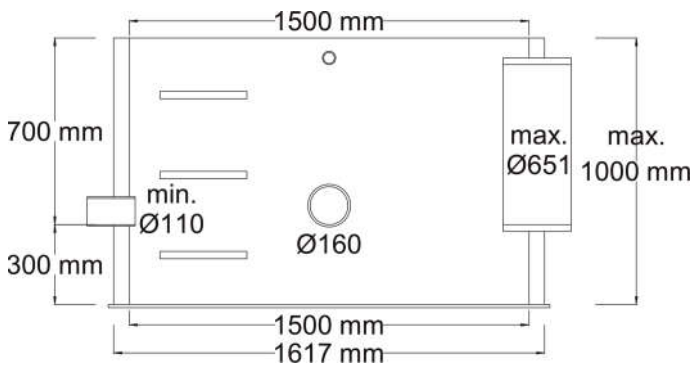
This product specification is neither giving nor implying warranty for the use of this information for design and installation, as these are beyond our control. The data provided is typical and based upon the mean values and we reserve the right to change the specifications without prior notice.



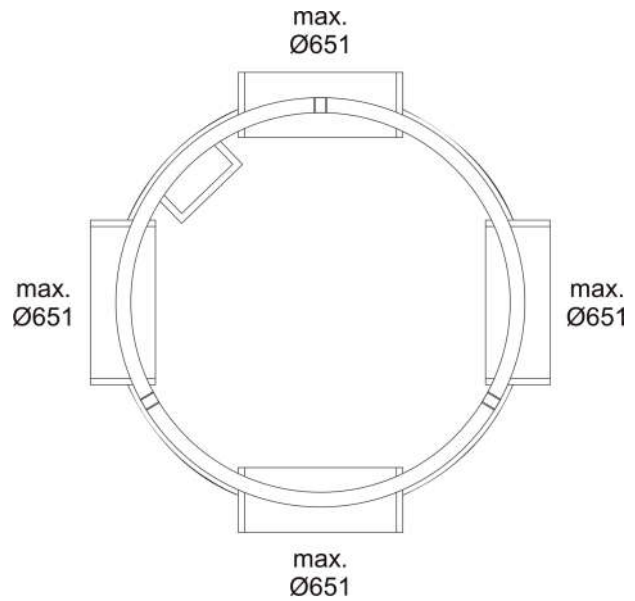
WASP05351

1500mm Ø Chamber; 1.0m deep; 4 x spigots; max. 600mm Ø

CAD SECTION DETAIL



CAD PLAN DETAIL



Pipe spigot sizing and orientation shown is for indication only

CHAMBER SPIGOT DIAMETERS

Outside Ø	Inside Ø
110	98
160	142
225	199
250	222
315	279
400	355
450	399
551	500
651	600

For more information please contact 01254 589987 or email sales@selenvironmental.com

Disclaimer

This product specification is neither giving nor implying warranty for the use of this information for design and installation, as these are beyond our control. The data provided is typical and based upon the mean values and we reserve the right to change the specifications without prior notice.



WASP05352

1500mm Ø Chamber; 1.5m deep; 4 x spigots; max. 600mm Ø

Description

The WASP05352 1500mm diameter (ID) Catchpit Chamber is prefabricated to suit individual site requirements up to a maximum height of 1500mm (including sump). Pipe connection spigots ranging from 110mmØ to 450mmØ (OD) and 500mmØ to 600mmØ (ID) are positioned to suit manhole schedule.

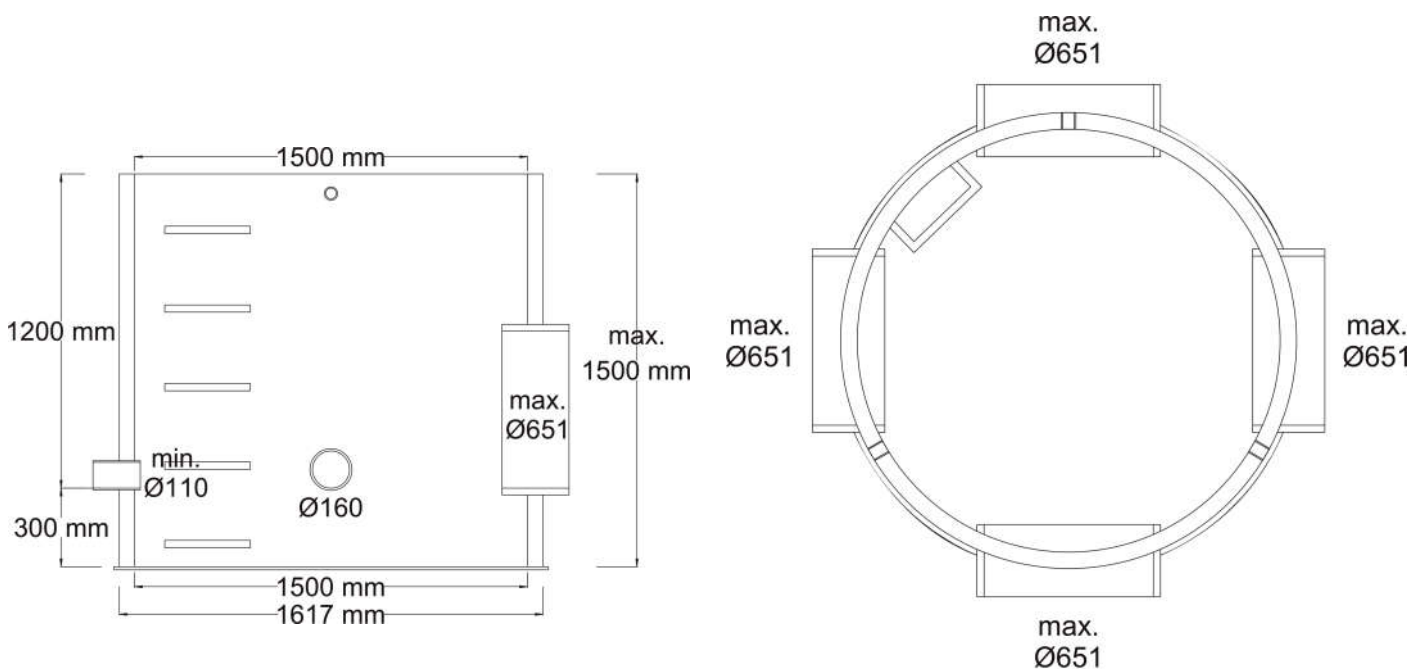
SPECIFICATION

Diameter (mm)	1500
Depth (mm)	1500
Sump Depth (mm)	300
Nr Inlet Spigots	3
Nr Outlet Spigots	1
Spigot OD (mm)	110 to 651
Unit Weight (kg)	132
Core Material	HDPE

UNIVERSAL FOR ANY SUDS

MULTIPLE INLET / OUTLET OPTIONS

TRAPS SILT AND DEBRIS



Pipe spigot sizing and orientation shown is for indication only

For more information please contact 01254 589987 or email sales@selenvironmental.com

Disclaimer

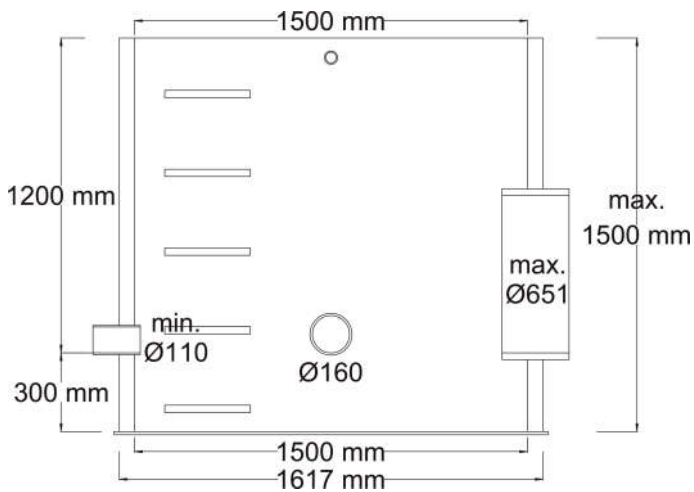
This product specification is neither giving nor implying warranty for the use of this information for design and installation, as these are beyond our control. The data provided is typical and based upon the mean values and we reserve the right to change the specifications without prior notice.



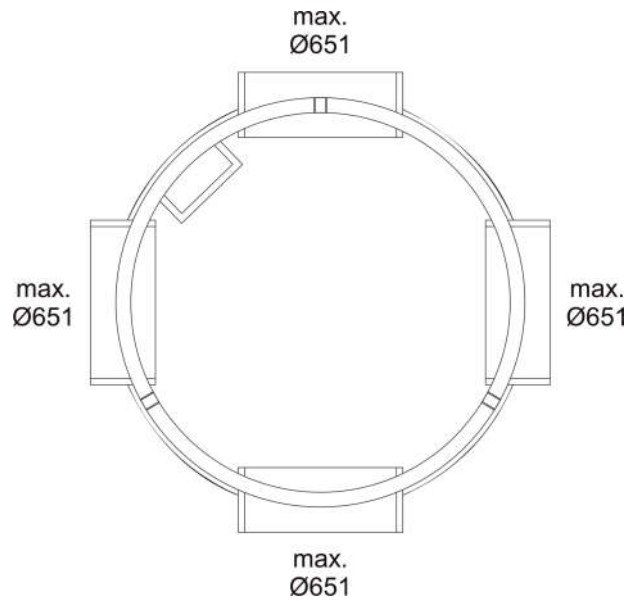
WASP05352

1500mm \varnothing Chamber; 1.5m deep; 4 x spigots; max. 600mm \varnothing

CAD SECTION DETAIL



CAD PLAN DETAIL



Pipe spigot sizing and orientation shown is for indication only

CHAMBER SPIGOT DIAMETERS

Outside \varnothing	Inside \varnothing
110	98
160	142
225	199
250	222
315	279
400	355
450	399
551	500
651	600

For more information please contact 01254 589987 or email sales@selenvironmental.com

Disclaimer

This product specification is neither giving nor implying warranty for the use of this information for design and installation, as these are beyond our control. The data provided is typical and based upon the mean values and we reserve the right to change the specifications without prior notice.



WASP05353

1500mm Ø Chamber; 2.0m deep; 4 x spigots; max. 600mm Ø

Description

The WASP05353 1500mm diameter (ID) Catchpit Chamber is prefabricated to suit individual site requirements up to a maximum height of 2000mm (including sump). Pipe connection spigots ranging from 110mmØ to 450mmØ (OD) and 500mmØ to 600mmØ (ID) are positioned to suit manhole schedule.

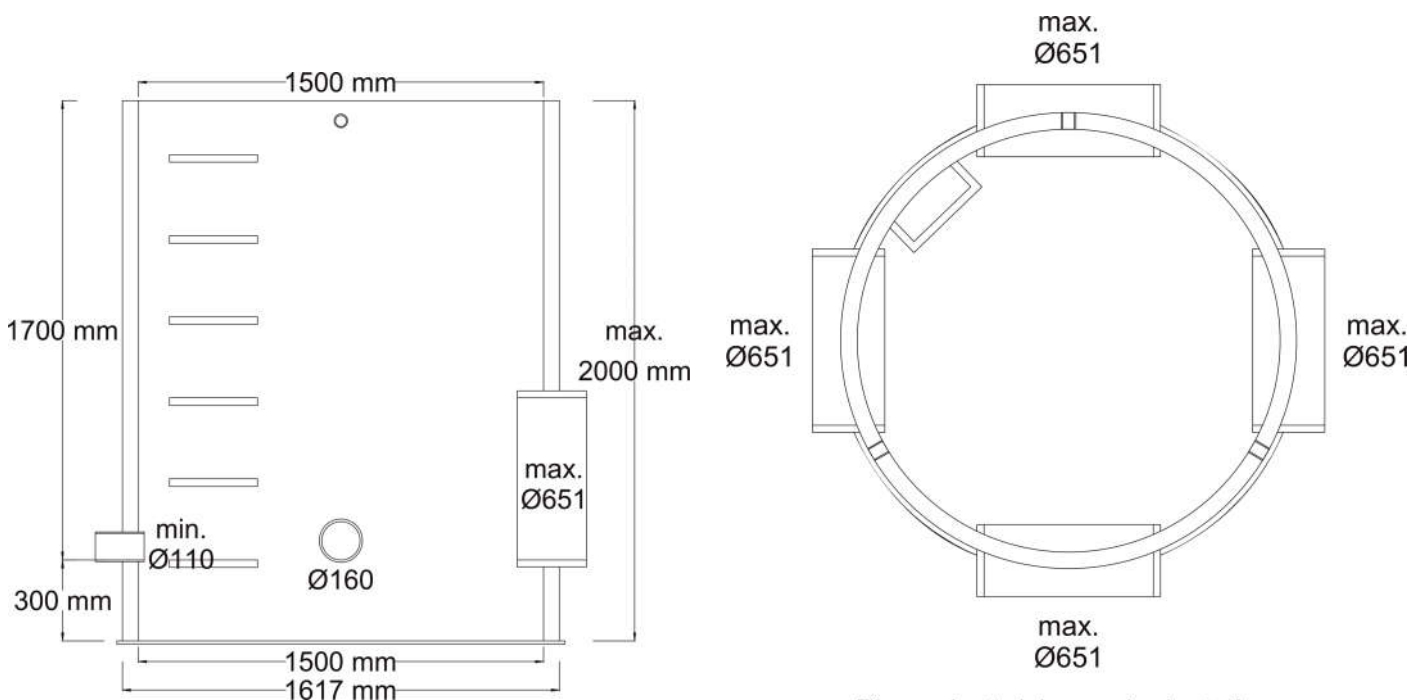
SPECIFICATION

Diameter (mm)	1500
Depth (mm)	2000
Sump Depth (mm)	300
Nr Inlet Spigots	3
Nr Outlet Spigots	1
Spigot OD (mm)	110 to 651
Unit Weight (kg)	176
Core Material	HDPE

UNIVERSAL FOR ANY SUDS

MULTIPLE INLET / OUTLET OPTIONS

TRAPS SILT AND DEBRIS



Pipe spigot sizing and orientation shown is for indication only

For more information please contact 01254 589987 or email sales@selenvironmental.com

Disclaimer

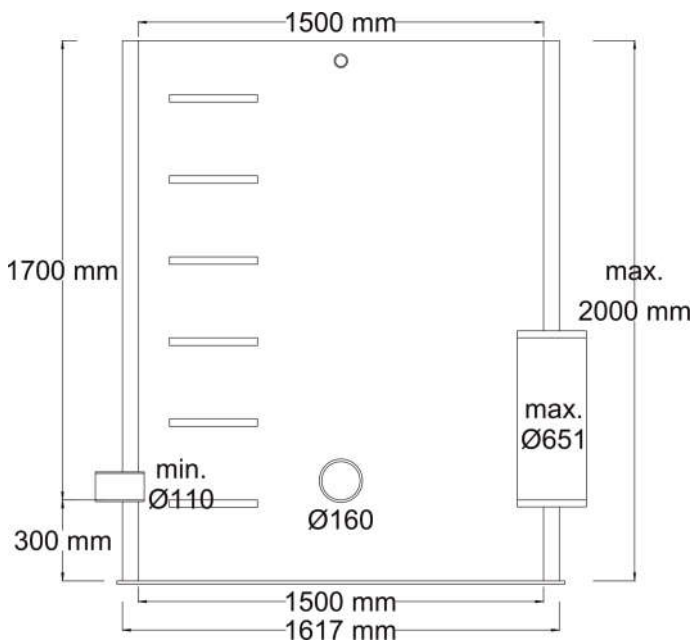
This product specification is neither giving nor implying warranty for the use of this information for design and installation, as these are beyond our control. The data provided is typical and based upon the mean values and we reserve the right to change the specifications without prior notice.



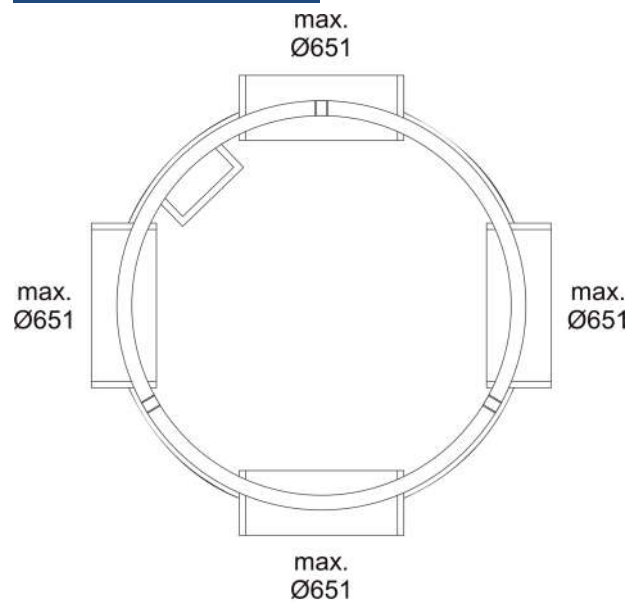
WASP05353

1500mm \varnothing Chamber; 2.0m deep; 4 x spigots; max. 600mm \varnothing

CAD SECTION DETAIL



CAD PLAN DETAIL



Pipe spigot sizing and orientation shown is for indication only

CHAMBER SPIGOT DIAMETERS

Outside \varnothing	Inside \varnothing
110	98
160	142
225	199
250	222
315	279
400	355
450	399
551	500
651	600

For more information please contact 01254 589987 or email sales@selenvironmental.com

Disclaimer

This product specification is neither giving nor implying warranty for the use of this information for design and installation, as these are beyond our control. The data provided is typical and based upon the mean values and we reserve the right to change the specifications without prior notice.



WASP05354

1500mm Ø Chamber; 2.5m deep; 4 x spigots; max. 600mm Ø

Description

The WASP05354 1500mm diameter (ID) Catchpit Chamber is prefabricated to suit individual site requirements up to a maximum height of 2500mm (including sump). Pipe connection spigots ranging from 110mmØ to 450mmØ (OD) and 500mmØ to 600mmØ (ID) are positioned to suit manhole schedule.

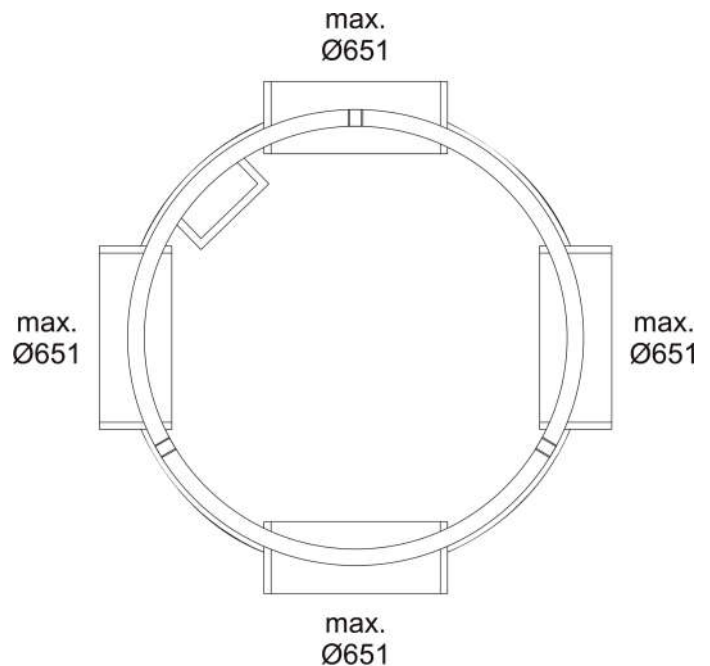
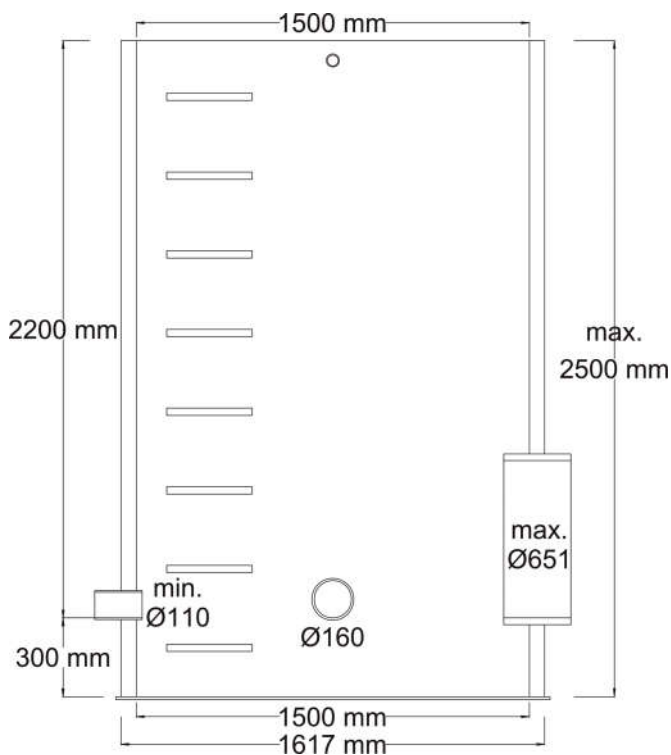
SPECIFICATION

Diameter (mm)	1500
Depth (mm)	2500
Sump Depth (mm)	300
Nr Inlet Spigots	3
Nr Outlet Spigots	1
Spigot OD (mm)	110 to 651
Unit Weight (kg)	220
Core Material	HDPE

UNIVERSAL FOR ANY SUDS

MULTIPLE INLET / OUTLET OPTIONS

TRAPS SILT AND DEBRIS



Pipe spigot sizing and orientation shown is for indication only

For more information please contact 01254 589987 or email sales@selenvironmental.com

Disclaimer

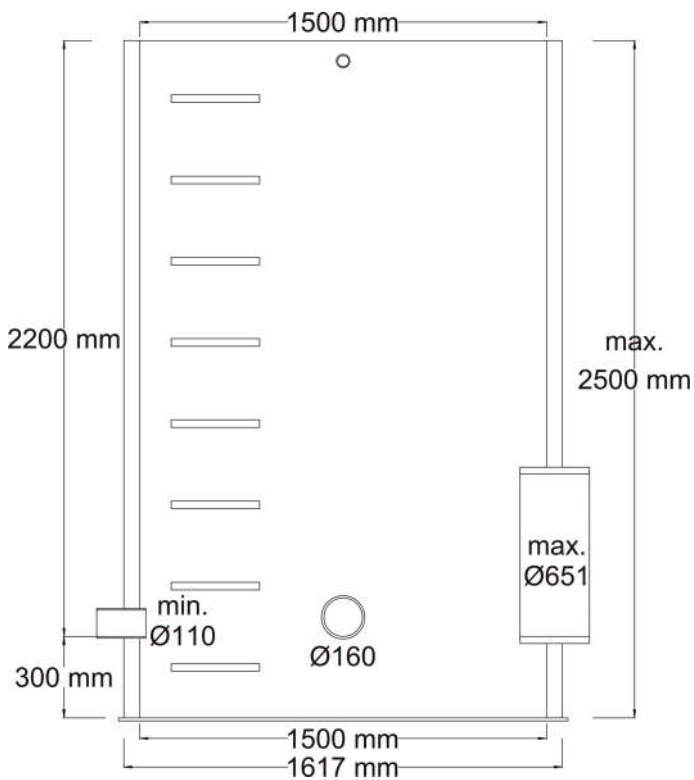
This product specification is neither giving nor implying warranty for the use of this information for design and installation, as these are beyond our control. The data provided is typical and based upon the mean values and we reserve the right to change the specifications without prior notice.



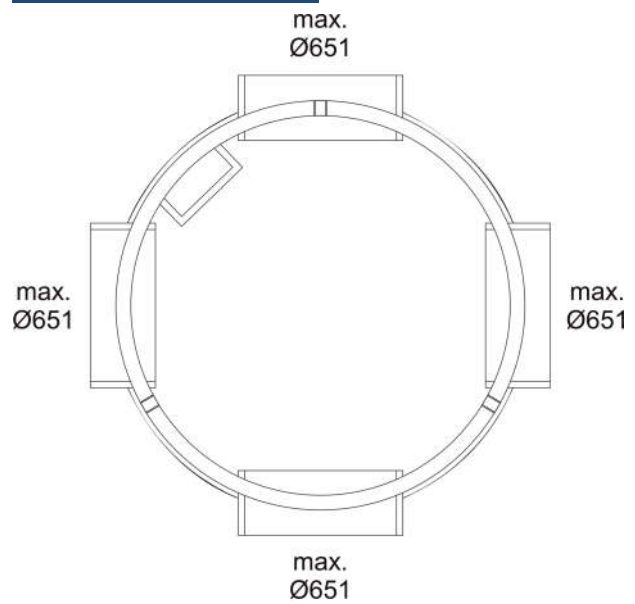
WASP05354

1500mm Ø Chamber; 2.5m deep; 4 x spigots; max. 600mm Ø

CAD SECTION DETAIL



CAD PLAN DETAIL



Pipe spigot sizing and orientation shown is for indication only

CHAMBER SPIGOT DIAMETERS

Outside Ø	Inside Ø
110	98
160	142
225	199
250	222
315	279
400	355
450	399
551	500
651	600

For more information please contact 01254 589987 or email sales@selenvironmental.com

Disclaimer

This product specification is neither giving nor implying warranty for the use of this information for design and installation, as these are beyond our control. The data provided is typical and based upon the mean values and we reserve the right to change the specifications without prior notice.



WASP
Water Ancillary Specialist Products

WASP05400 Series 1800mm Ø Chambers Man Entry

For more information please contact 01254 589987 or email sales@selenvironmental.com

Disclaimer

This product specification is neither giving nor implying warranty for the use of this information for design and installation, as these are beyond our control. The data provided is typical and based upon the mean values and we reserve the right to change the specifications without prior notice.



WASP05402

1800mm Ø Chamber; 1.5m deep; 4 x spigots; max. 900mm Ø

Description

The WASP05402 1800mm diameter (ID) Catchpit Chamber is prefabricated to suit individual site requirements up to a maximum height of 1500mm (including sump). Pipe connection spigots ranging from 110mmØ to 450mmØ (OD) and 500mmØ to 900mmØ (ID) are positioned to suit manhole schedule.

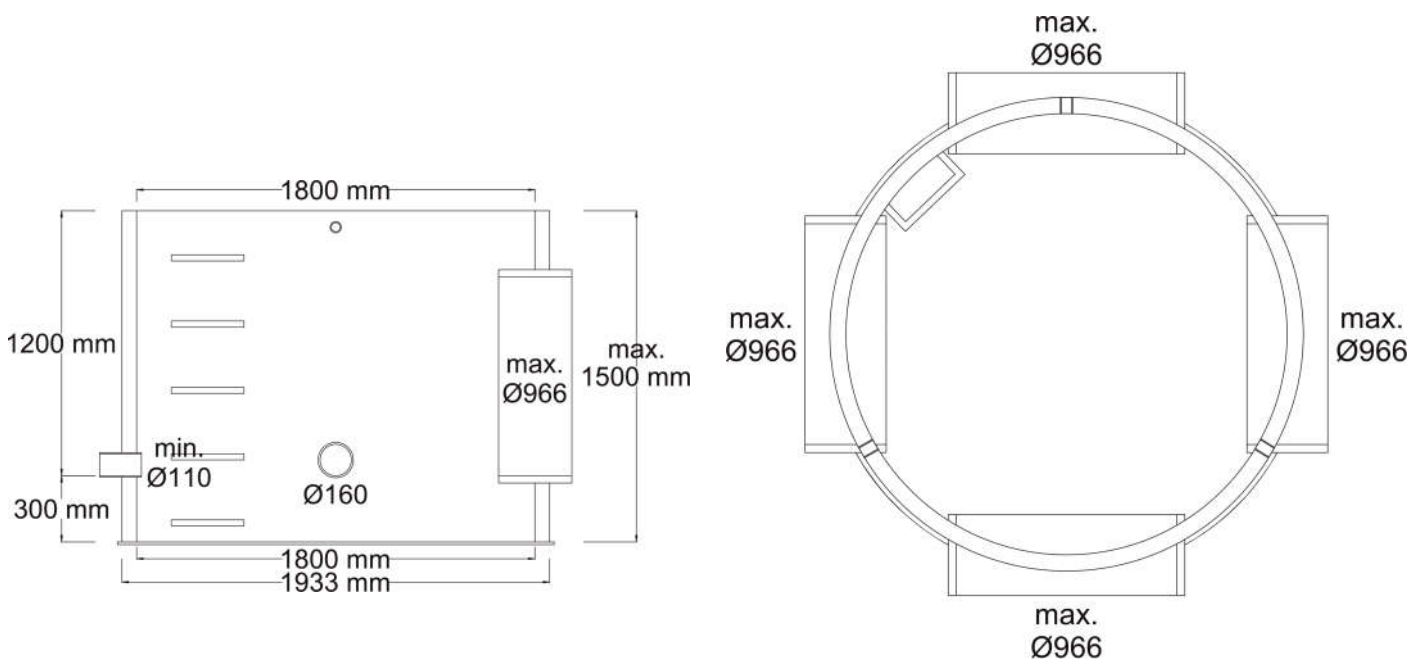
SPECIFICATION

Diameter (mm)	1800
Depth (mm)	1500
Sump Depth (mm)	300
Nr Inlet Spigots	3
Nr Outlet Spigots	1
Spigot OD (mm)	110 to 966
Unit Weight (kg)	183
Core Material	HDPE

UNIVERSAL FOR ANY SUDS

MULTIPLE INLET / OUTLET OPTIONS

TRAPS SILT AND DEBRIS



Pipe spigot sizing and orientation shown is for indication only

For more information please contact 01254 589987 or email sales@selenvironmental.com

Disclaimer

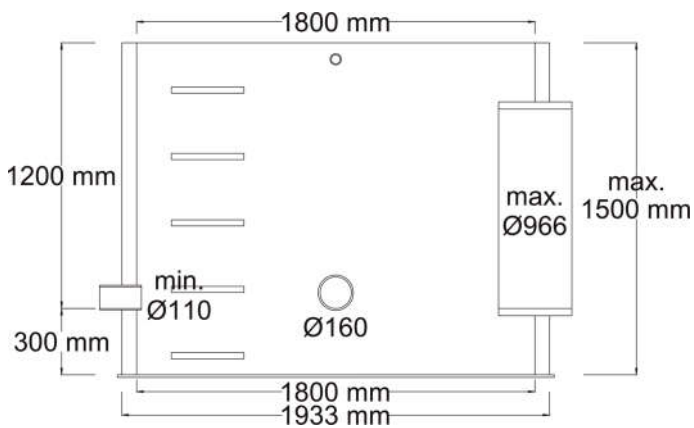
This product specification is neither giving nor implying warranty for the use of this information for design and installation, as these are beyond our control. The data provided is typical and based upon the mean values and we reserve the right to change the specifications without prior notice.



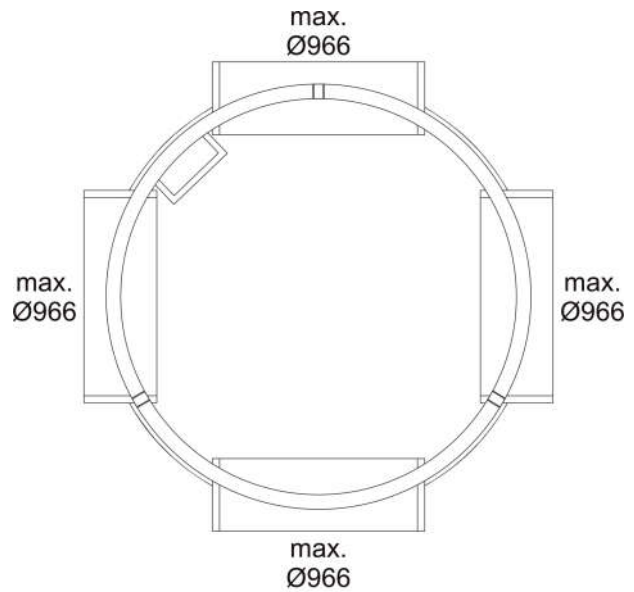
WASP05402

1800mm \varnothing Chamber; 1.5m deep; 4 x spigots; max. 900mm \varnothing

CAD SECTION DETAIL



CAD PLAN DETAIL



Pipe spigot sizing and orientation shown is for indication only

CHAMBER SPIGOT DIAMETERS

Outside \varnothing	Inside \varnothing
225	199
250	222
315	279
400	355
450	399
551	500
651	600
801	750
966	900

For more information please contact 01254 589987 or email sales@selenvironmental.com

Disclaimer

This product specification is neither giving nor implying warranty for the use of this information for design and installation, as these are beyond our control. The data provided is typical and based upon the mean values and we reserve the right to change the specifications without prior notice.



WASP05403

1800mm Ø Chamber; 2.0m deep; 4 x spigots; max. 900mm Ø

Description

The WASP05403 1800mm diameter (ID) Catchpit Chamber is prefabricated to suit individual site requirements up to a maximum height of 2000mm (including sump). Pipe connection spigots ranging from 110mmØ to 450mmØ (OD) and 500mmØ to 900mmØ (ID) are positioned to suit manhole schedule.

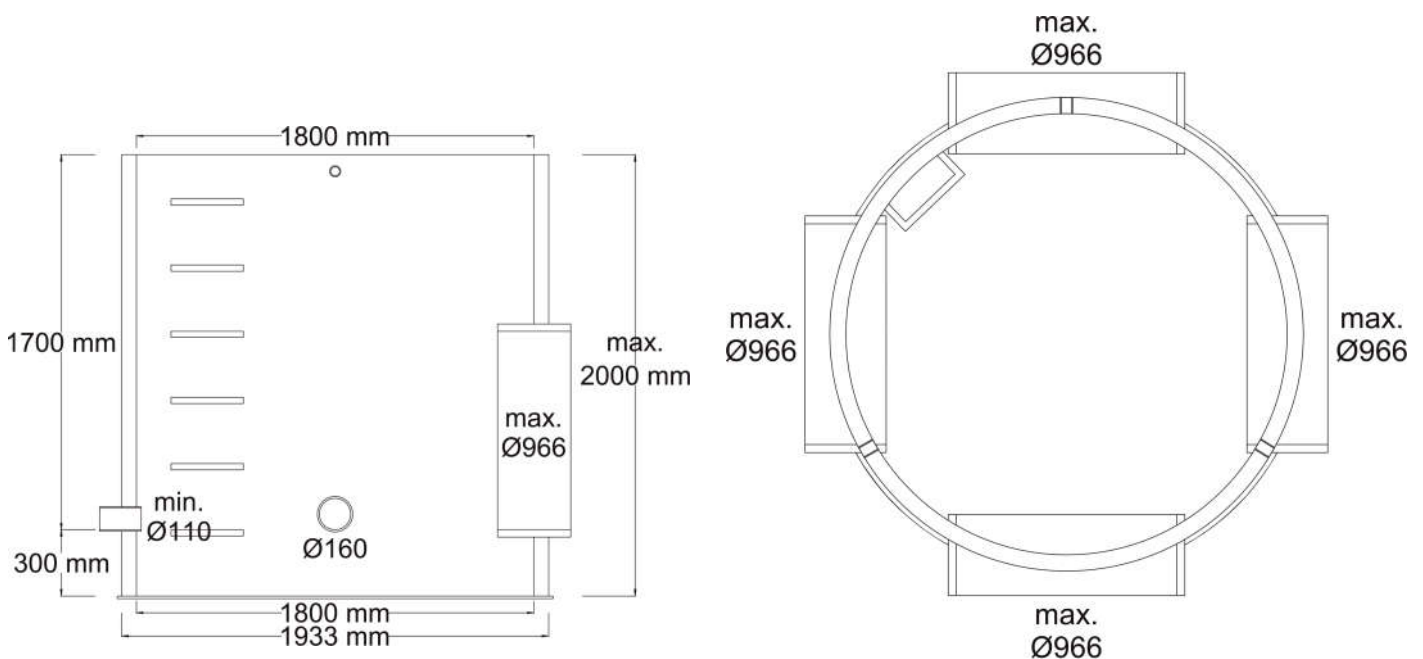
SPECIFICATION

Diameter (mm)	1800
Depth (mm)	2000
Sump Depth (mm)	300
Nr Inlet Spigots	3
Nr Outlet Spigots	1
Spigot OD (mm)	110 to 966
Unit Weight (kg)	244
Core Material	HDPE

UNIVERSAL FOR ANY SUDS

MULTIPLE INLET / OUTLET OPTIONS

TRAPS SILT AND DEBRIS



Pipe spigot sizing and orientation shown is for indication only

For more information please contact 01254 589987 or email sales@selenvironmental.com

Disclaimer

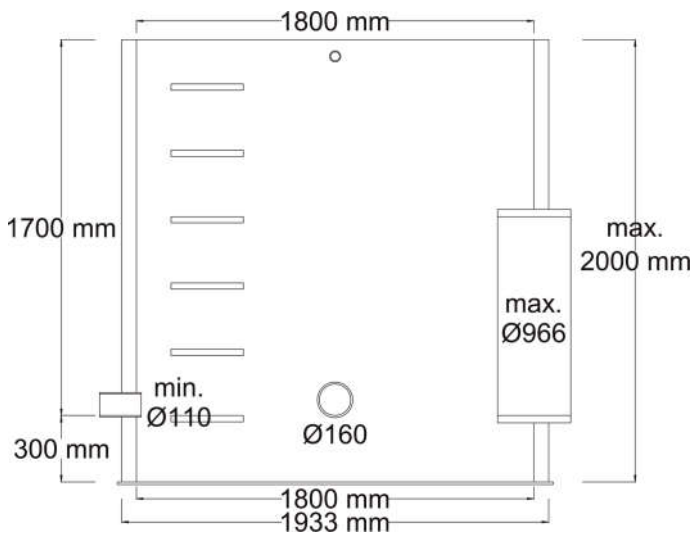
This product specification is neither giving nor implying warranty for the use of this information for design and installation, as these are beyond our control. The data provided is typical and based upon the mean values and we reserve the right to change the specifications without prior notice.



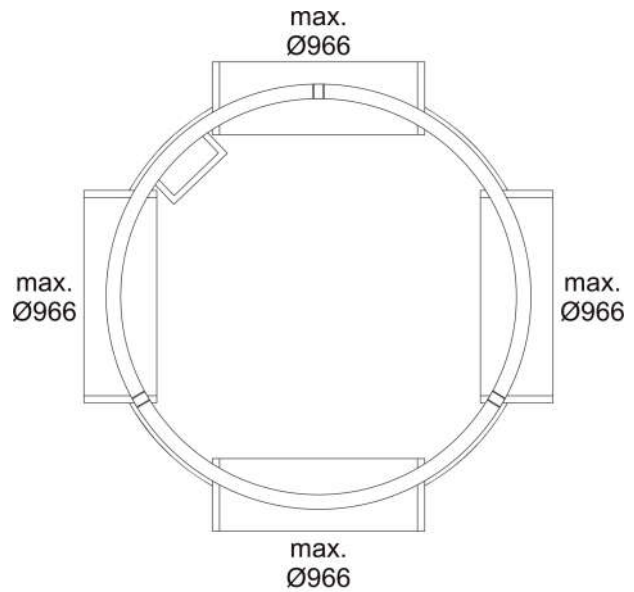
WASP05403

1800mm \varnothing Chamber; 2.0m deep; 4 x spigots; max. 900mm \varnothing

CAD SECTION DETAIL



CAD PLAN DETAIL



Pipe spigot sizing and orientation shown is for indication only

CHAMBER SPIGOT DIAMETERS

Outside \varnothing	Inside \varnothing
225	199
250	222
315	279
400	355
450	399
551	500
651	600
801	750
966	900

For more information please contact 01254 589987 or email sales@selenvironmental.com

Disclaimer

This product specification is neither giving nor implying warranty for the use of this information for design and installation, as these are beyond our control. The data provided is typical and based upon the mean values and we reserve the right to change the specifications without prior notice.



WASP05404

1800mm Ø Chamber; 2.5m deep; 4 x spigots; max. 900mm Ø

Description

The WASP05404 1800mm diameter (ID) Catchpit Chamber is prefabricated to suit individual site requirements up to a maximum height of 2500mm (including sump). Pipe connection spigots ranging from 110mmØ to 450mmØ (OD) and 500mmØ to 900mmØ (ID) are positioned to suit manhole schedule.

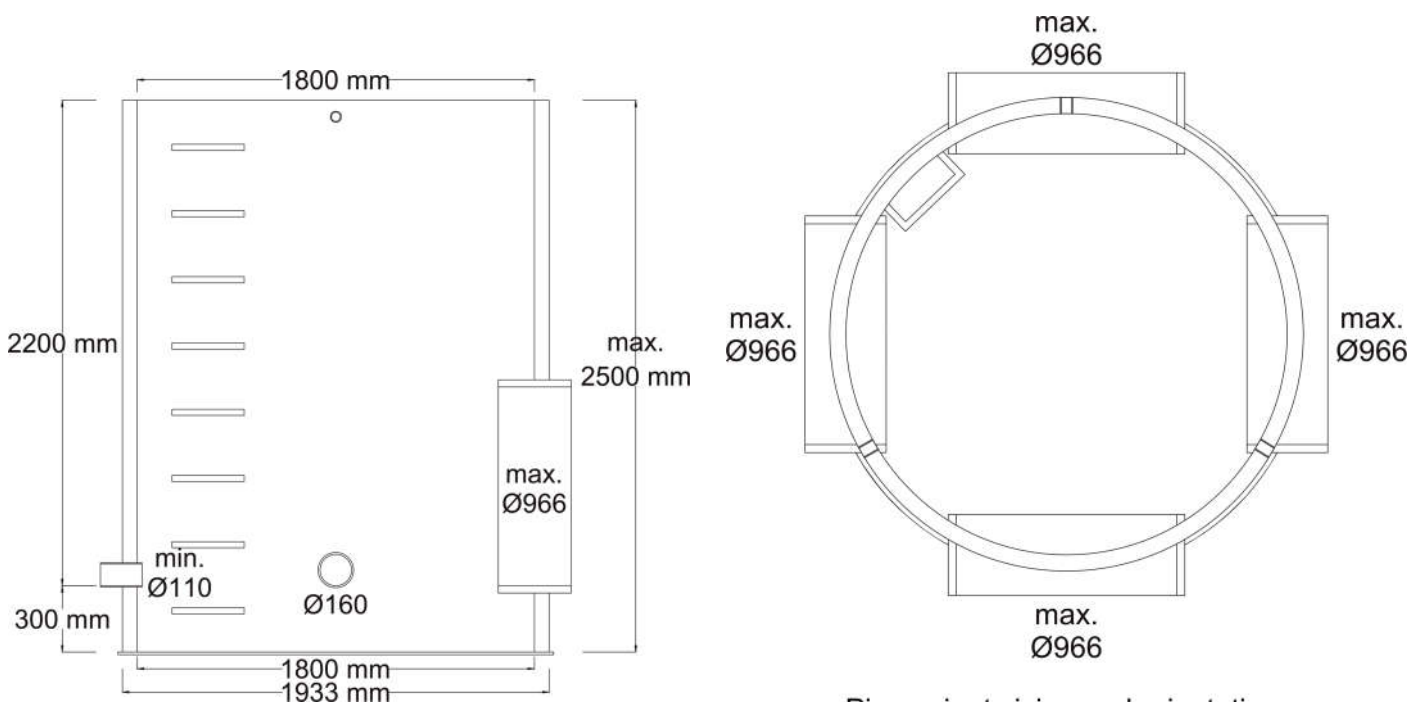
SPECIFICATION

Diameter (mm)	1800
Depth (mm)	2500
Sump Depth (mm)	300
Nr Inlet Spigots	3
Nr Outlet Spigots	1
Spigot OD (mm)	110 to 966
Unit Weight (kg)	305
Core Material	HDPE

UNIVERSAL FOR ANY SUDS

MULTIPLE INLET / OUTLET OPTIONS

TRAPS SILT AND DEBRIS



Pipe spigot sizing and orientation shown is for indication only

For more information please contact 01254 589987 or email sales@selenvironmental.com

Disclaimer

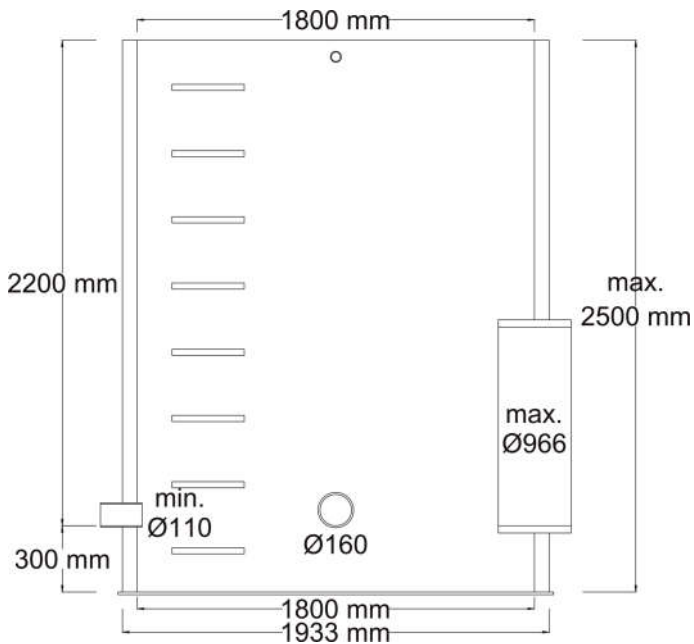
This product specification is neither giving nor implying warranty for the use of this information for design and installation, as these are beyond our control. The data provided is typical and based upon the mean values and we reserve the right to change the specifications without prior notice.



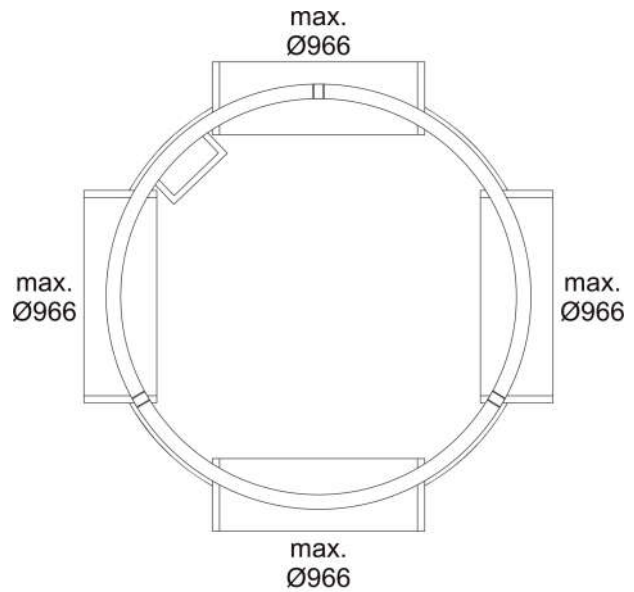
WASP05404

1800mm Ø Chamber; 2.5m deep; 4 x spigots; max. 900mm Ø

CAD SECTION DETAIL



CAD PLAN DETAIL



Pipe spigot sizing and orientation shown is for indication only

CHAMBER SPIGOT DIAMETERS

Outside Ø	Inside Ø
225	199
250	222
315	279
400	355
450	399
551	500
651	600
801	750
966	900

For more information please contact 01254 589987 or email sales@selenvironmental.com

Disclaimer

This product specification is neither giving nor implying warranty for the use of this information for design and installation, as these are beyond our control. The data provided is typical and based upon the mean values and we reserve the right to change the specifications without prior notice.



WASP
Water Ancillary Specialist Products

Application Details

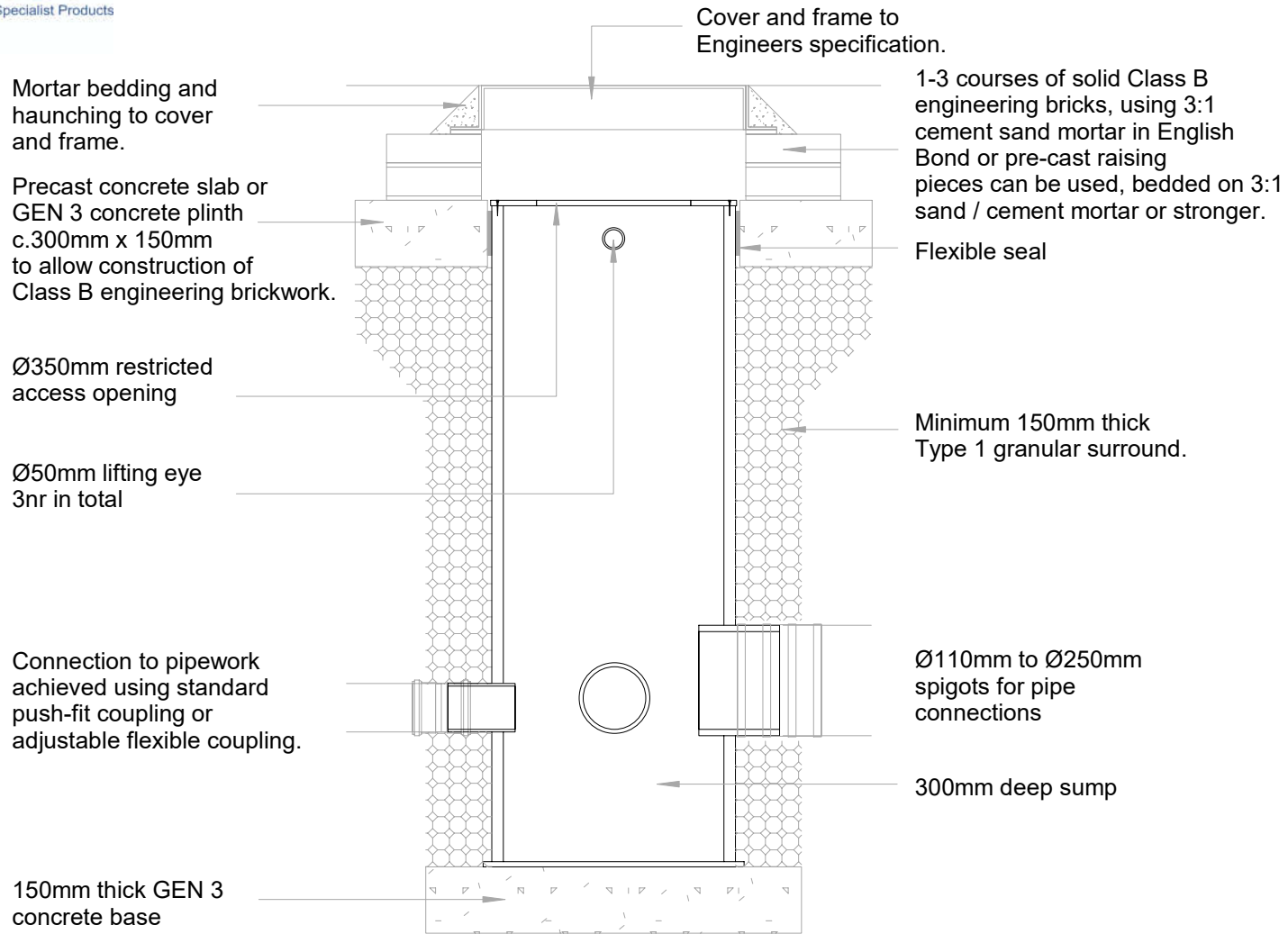
For more information please contact 01254 589987 or email sales@selenvironmental.com

Disclaimer

This product specification is neither giving nor implying warranty for the use of this information for design and installation, as these are beyond our control. The data provided is typical and based upon the mean values and we reserve the right to change the specifications without prior notice.



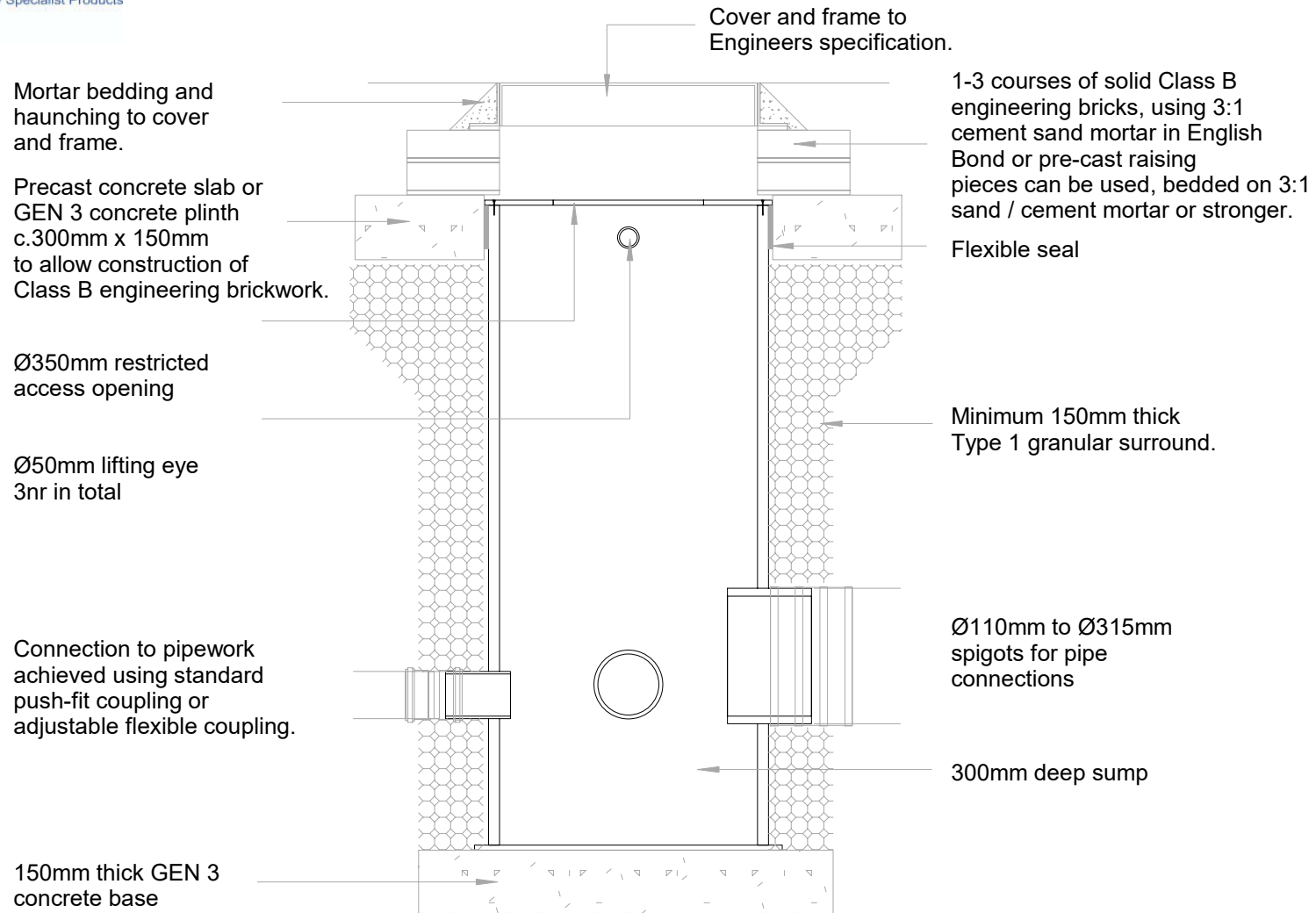
WASP
Water Ancillary Specialist Products



INSTALLATION DETAIL
WASP05050 Series
Prefabricated Catchpit Chamber
Ø500 up to 2.5m deep chamber
By SEL Environmental Tel: 01254 589987



WASP
Water Ancillary Specialist Products



INSTALLATION DETAIL
WASP05100 Series
Prefabricated Catchpit Chamber
Ø600 up to 2.5m deep chamber
By SEL Environmental Tel: 01254 589987



WASP
Water Ancillary Specialist Products

1-3 courses of solid Class B engineering bricks, using 3:1 cement sand mortar in English Bond or pre-cast raising pieces can be used, bedded on 3:1 sand / cement mortar or stronger.

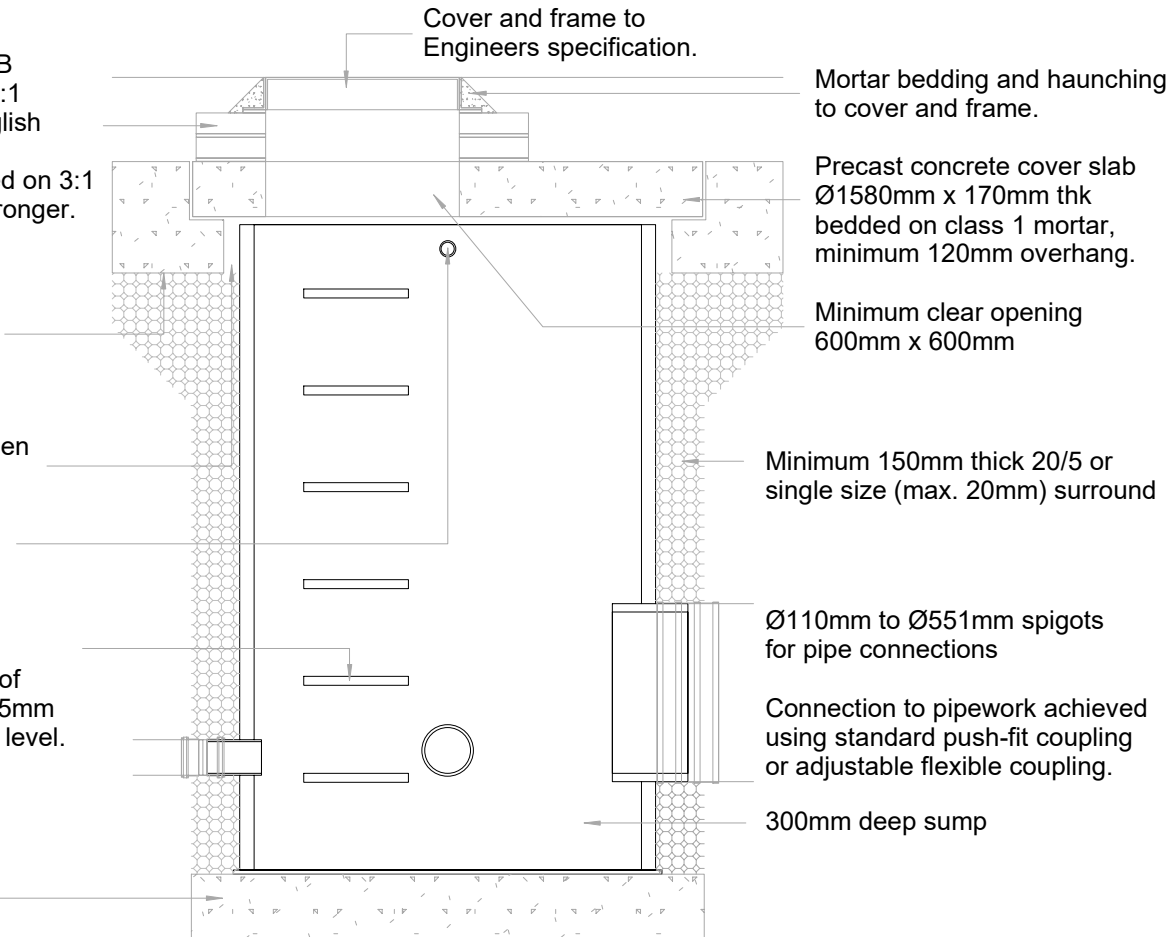
Load disconnecting plinth assembly, GEN3 concrete minimum 300mm wide for bedding of cover slab.

Minimum 50mm gap between slab and WASP chamber.

Ø50mm lifting eye
3nr in total.

Internal plastic coated step irons to BS EN 13101
Minimum 150mm from top of chamber and maximum 675mm to first step iron from cover level.

200mm min. In situ Gen 3 concrete base slab



INSTALLATION DETAIL

WASP05250 Series

Prefabricated Catchpit Chamber

Ø1200 up to 2.5m deep chamber

By SEL Environmental Tel: 01254 589987



WASP
Water Ancillary Specialist Products

1-3 courses of solid Class B engineering bricks, using 3:1 cement sand mortar in English Bond or pre-cast raising pieces can be used, bedded on 3:1 sand / cement mortar or stronger.

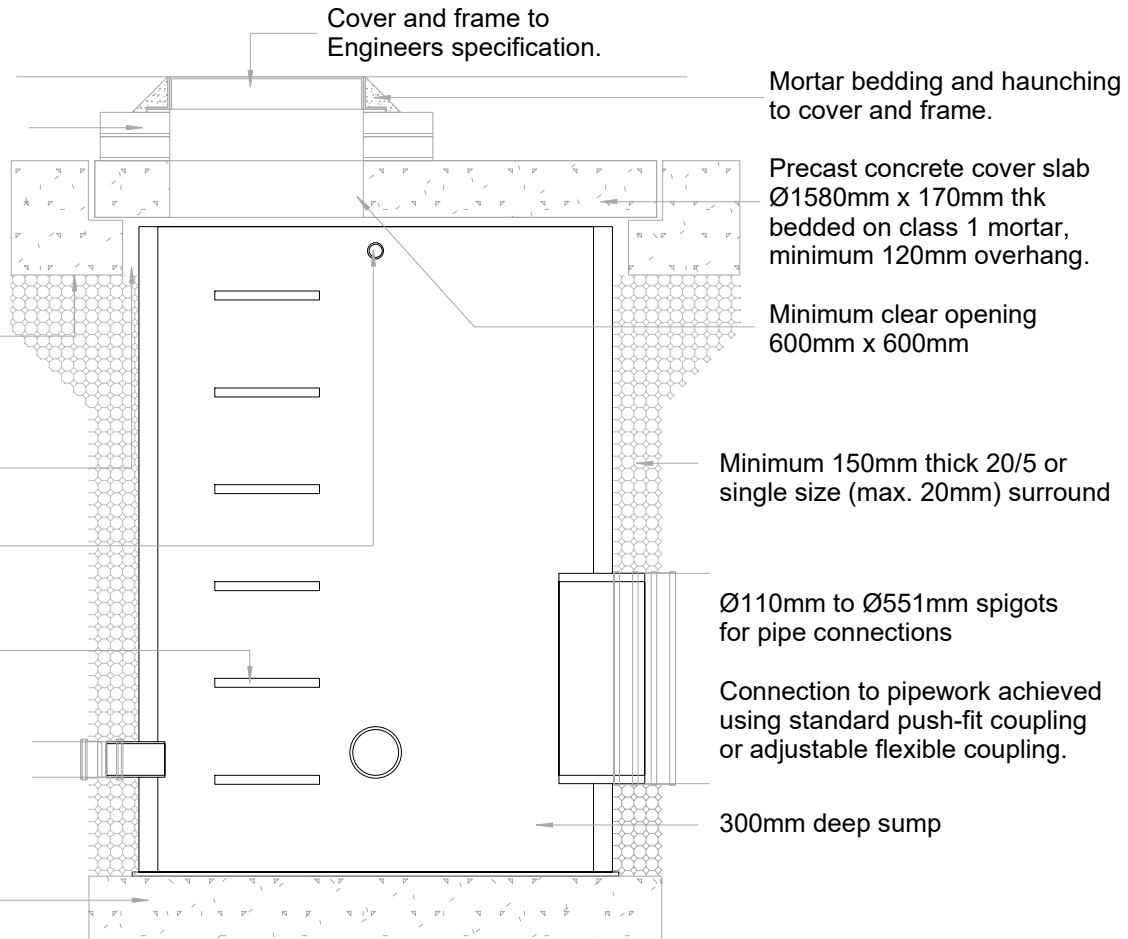
Load disconnecting plinth assembly, GEN3 concrete minimum 300mm wide for bedding of cover slab.

Minimum 50mm gap between slab and WASP chamber.

Ø50mm lifting eye
3nr in total.

Internal plastic coated step irons to BS EN 13101
Minimum 150mm from top of chamber and maximum 675mm to first step iron from cover level.

200mm min. Insitu Gen 3 concrete base slab



INSTALLATION DETAIL
WASP05300 Series
Prefabricated Catchpit Chamber
Ø1350 up to 2.5m deep chamber
By SEL Environmental Tel: 01254 589987



WASP
Water Ancillary Specialist Products

1-3 courses of solid Class B engineering bricks, using 3:1 cement sand mortar in English Bond or pre-cast raising pieces can be used, bedded on 3:1 sand / cement mortar or stronger.

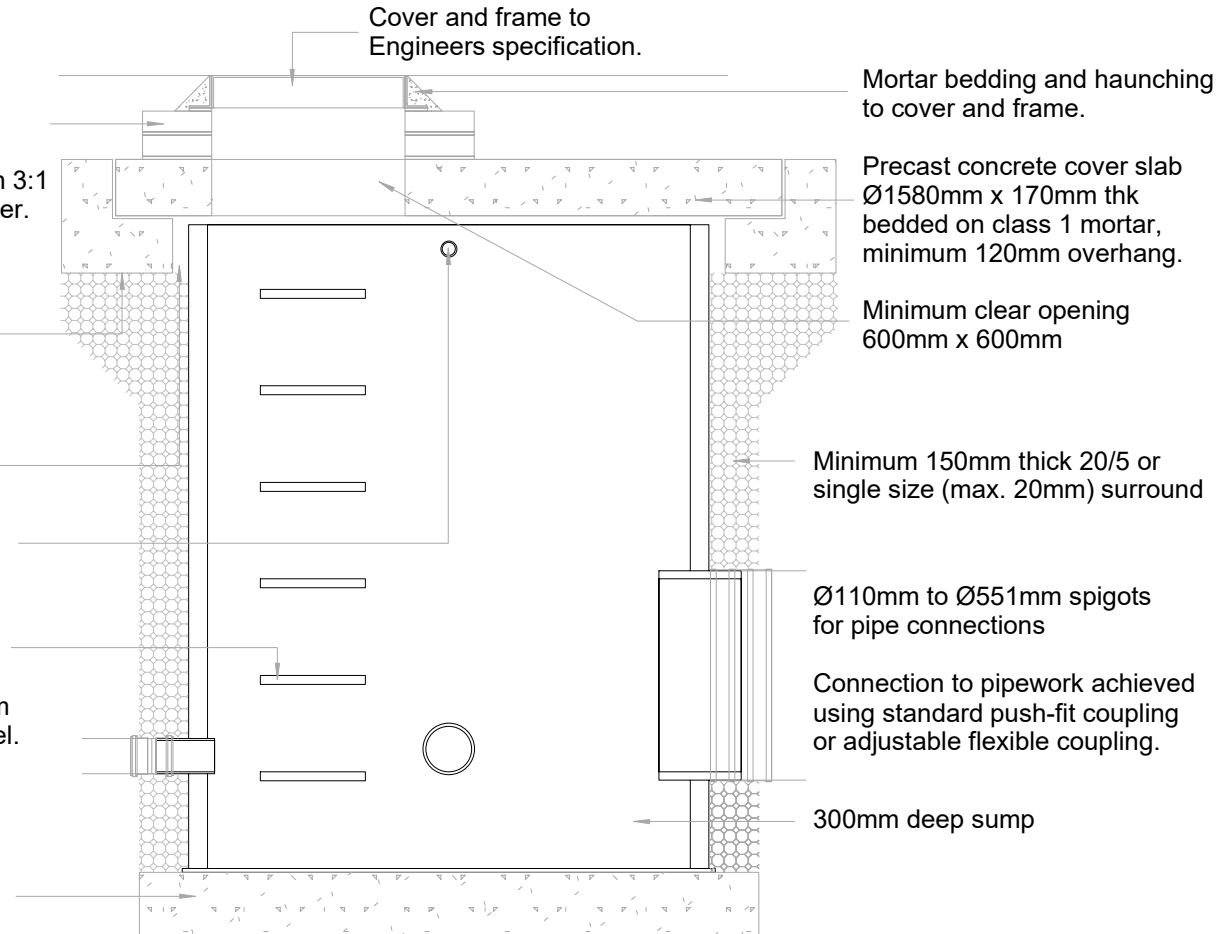
Load disconnecting plinth assembly, GEN3 concrete minimum 300mm wide for bedding of cover slab.

Minimum 50mm gap between slab and WASP chamber.

Ø50mm lifting eye
3nr in total.

Internal plastic coated step irons to BS EN 13101
Minimum 150mm from top of chamber and maximum 675mm to first step iron from cover level.

200mm min. In situ Gen 3 concrete base slab



INSTALLATION DETAIL
WASP05350 Series
Prefabricated Catchpit Chamber
Ø1500 up to 2.5m deep chamber
By SEL Environmental Tel: 01254 589987



WASP
Water Ancillary Specialist Products

1-3 courses of solid Class B engineering bricks, using 3:1 cement sand mortar in English Bond or pre-cast raising pieces can be used, bedded on 3:1 sand / cement mortar or stronger.

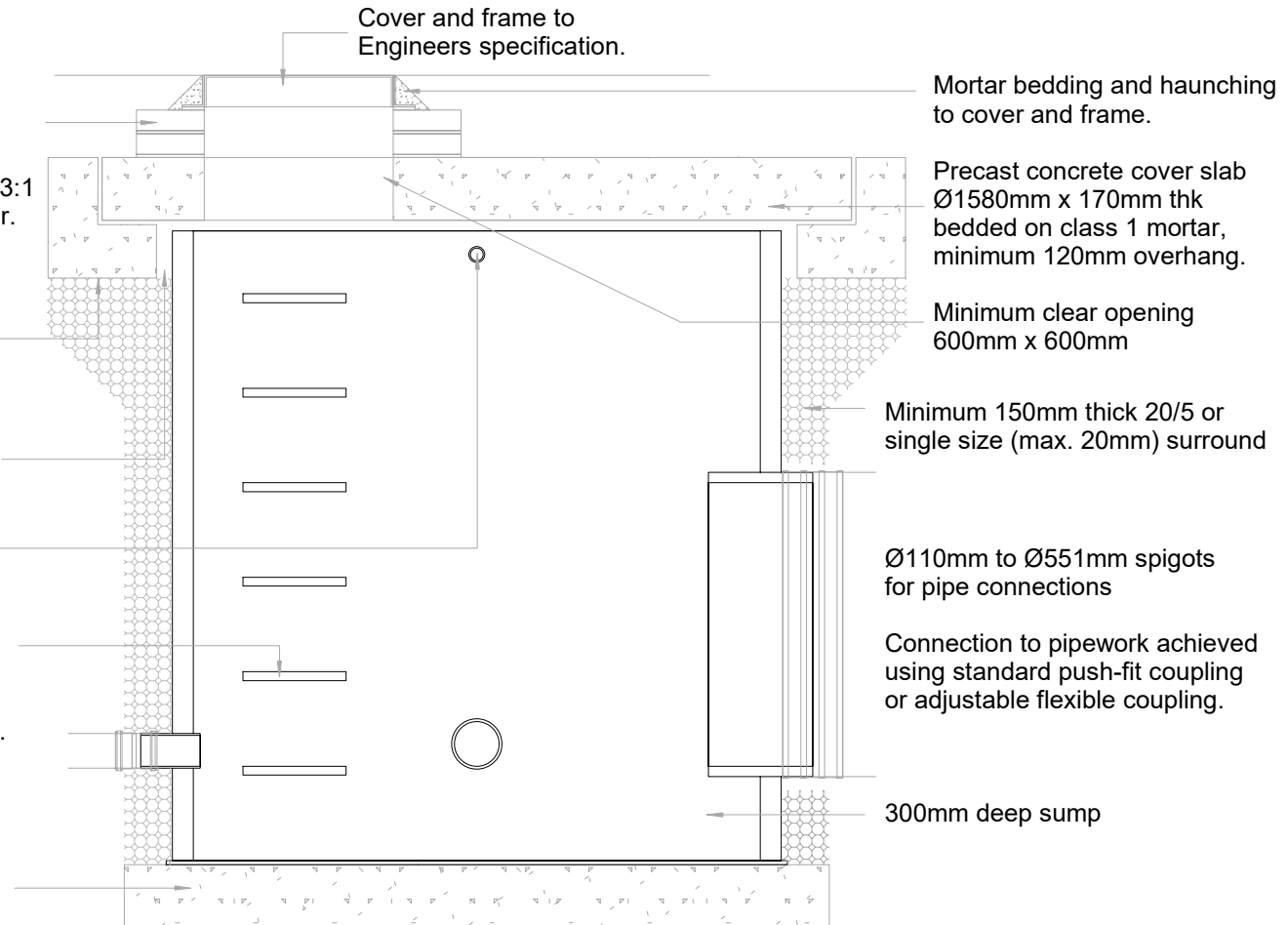
Load disconnecting plinth assembly, GEN3 concrete minimum 300mm wide for bedding of cover slab.

Minimum 50mm gap between slab and WASP chamber.

Ø50mm lifting eye
3nr in total.

Internal plastic coated step irons to BS EN 13101
Minimum 150mm from top of chamber and maximum 675mm to first step iron from cover level.

200mm min. Insitu Gen 3 concrete base slab



INSTALLATION DETAIL
WASP05400 Series
Prefabricated Catchpit Chamber
Ø1800 up to 2.5m deep chamber
By SEL Environmental Tel: 01254 589987



WASP
Water Ancillary Specialist Products

End of Document

For more information please contact 01254 589987 or email sales@selenvironmental.com

Disclaimer

This product specification is neither giving nor implying warranty for the use of this information for design and installation, as these are beyond our control. The data provided is typical and based upon the mean values and we reserve the right to change the specifications without prior notice.